

General use : Pulp production, water, water treatment, waste water, chemical industry (powdery or crystallizing products), wine-producing, pulverized products (cement work, pneumatic transport, stocking).

GENERAL CHARACTERISTICS

Function ON/OFF or regulation, valve with rising stem.
Wafer threaded mounting ISO PN10.
Unidirectional tightness, direction indication thanks to the arrow on the body.
Small retention zone: the gate is guided in the body and has little clearance.
Gland assembly: packing and O-ring (same materials as seat joint) to assure the elasticity and decrease the operating torque. Small head loss. Possibility to regulate thick fluids with the adaptation of a diaphragm ring.
Gear box with ISO mounting plate.

CONSTRUCTION

| | | | |
|-------------|-------------|-------------------------|----------------------------|
| 11 | 1 | Protection tube | |
| 10 | 1 | Gear box with ISO plate | |
| 9 | 2 | Support plate | Steel |
| 8 | 1 | Stem | Stainless steel 410 |
| 7 | 1 | O ring | NBR |
| 6 | 1 | Support ring | Stainless steel 316 |
| 5 | 1 | Gate | Stainless steel 304 |
| 4 | 1 | Packing gland | Ductile iron EN-GJS-400-15 |
| 3 | 1 | Packing | PTFE |
| 2 | 1 | Gasket | NBR |
| 1 | 1 | Body | Cast iron EN-GJL-250 |
| Pos. | Q-ty | Description | Material |

DIMENSIONS

| DN | | A | B | C | D | E | G | H | ØK | n-M | Weight (kg) |
|------|------|-----|------|-----|-----|-----|------|------|------|--------|-------------|
| mm | inch | | | | | | | | | | |
| 700 | 28" | 110 | 892 | 462 | 300 | 200 | 780 | 1742 | 840 | 32-M27 | 410 |
| 800 | 32" | 110 | 1013 | 530 | 300 | 200 | 880 | 1958 | 950 | 32-M30 | 560 |
| 900 | 36" | 110 | 1127 | 583 | 355 | 200 | 1025 | 2210 | 1050 | 40-M30 | 780 |
| 1000 | 40" | 110 | 1252 | 645 | 355 | 200 | 1115 | 2402 | 1160 | 40-M33 | 985 |
| 1200 | 48" | 130 | 1485 | 755 | 396 | 200 | 1335 | 2819 | 1380 | 48-M36 | 1635 |

WORKING CONDITIONS

Maximum working pressure : 2 bar.

Maximum working temperature : -10°C / + 80°C.

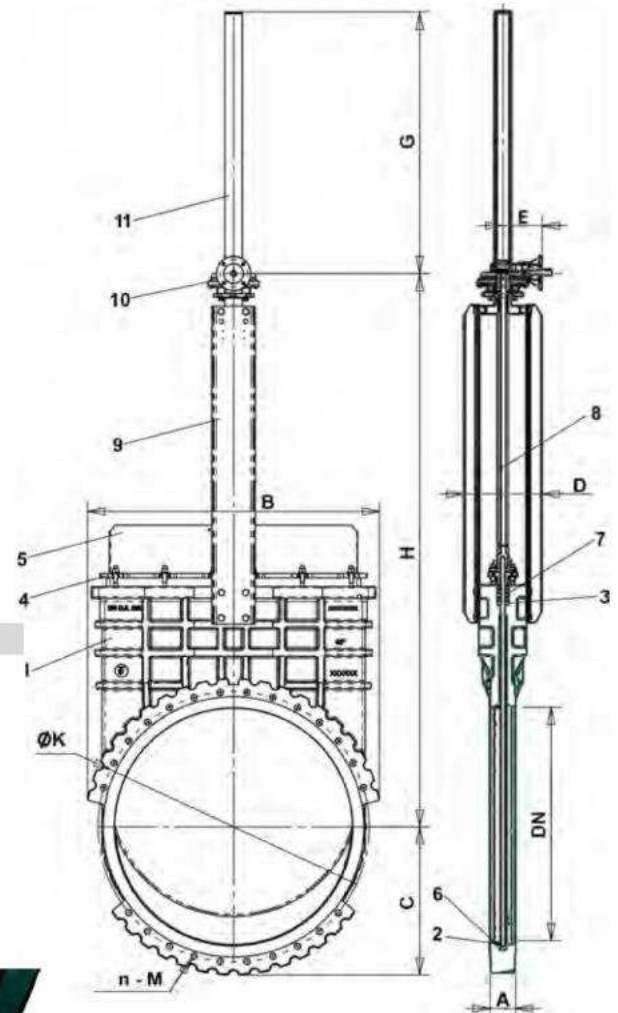
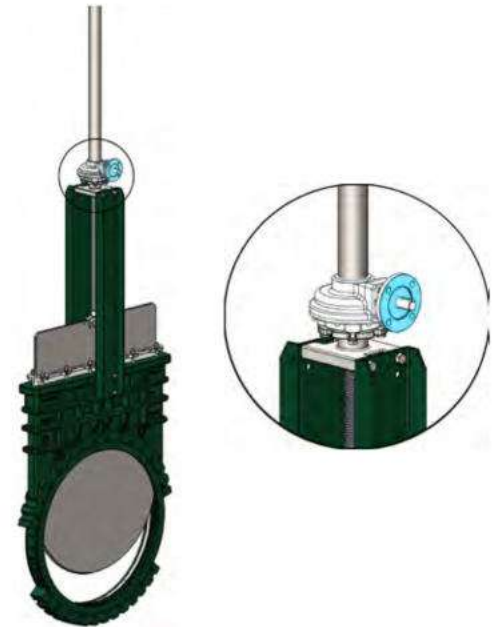
STANDARDS

| Connection | Testing standards | PED/ATEX |
|----------------|-------------------|---------------------------------------|
| EN 1092-2 PN10 | EN 12266-1 | Complies with European directive |
| DIN 2501 PN10 | DIN 3230 | 2014/68/EU "equipment under pressure" |
| | BS5154 | modulate H. |
| | ISO 5208 | |

In option: product complies with the European directive ATEX "Explosive atmospheres" N° 94/9/CE: ATEX II 2 GD c et ATEX II 3 GD c.

| Others material on request (If marked) | Maximum temperature | |
|--|-------------------------|--------------------------|
| Metal / metal | T max : -10°C / +80°C. | <input type="checkbox"/> |
| White NBR | T max : -10°C / +80°C. | <input type="checkbox"/> |
| EPDM | T max : -10°C / +130°C. | <input type="checkbox"/> |
| Silicone | T max : -10°C / +170°C. | <input type="checkbox"/> |
| FPM (Type Viton®) | T max : -10°C / +170°C. | <input type="checkbox"/> |
| PTFE*** | T max : +4°C / +170°C. | <input type="checkbox"/> |
| CSM (Type Hypalon®) | T max : +4°C / +80°C. | <input type="checkbox"/> |

*** Minimum working pressure : 1 bar



Standard tightness



Tightness metal/metal



Med-Ép-Team Szolgáltató és
Kereskedelmi Kft

Késtolózar DN700-1200

Típus: HW-GG-VG3400

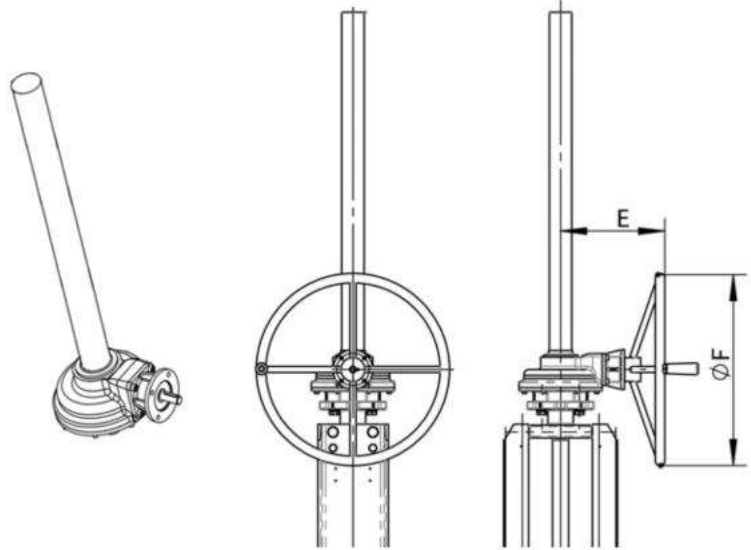
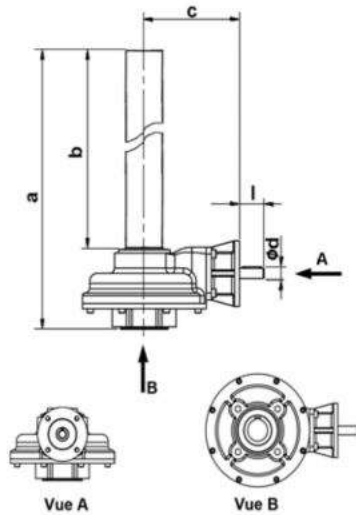
Cím: H-7636 Pécs, Felső u. 56.

Mobil: +36 (30) 550 2976

Web: www.medep.hu

Email: info@medep.hu

GEAR BOX DIMENSIONS

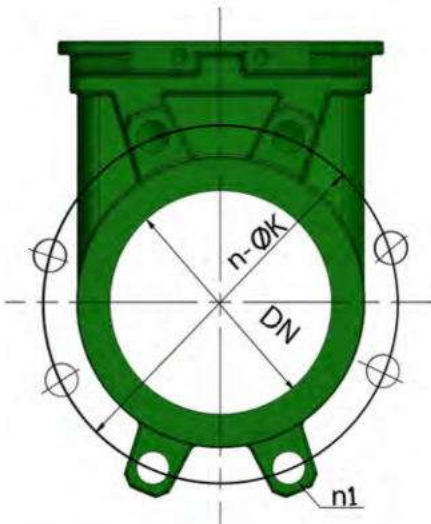


Gearbox with handwheel

| DN | | a | b | c | d | l | Valve input | | | Gearbox input | | | Gearbox with handwheel | |
|------|------|------|------|-----|----|----|---------------|-------------------|----------|---------------|-------------------|----------|------------------------|-----|
| mm | inch | | | | | | Torque* Nm | Number of turn | ISO 5210 | Torque* Nm | Number of turn | ISO 5210 | E | ØF |
| 700 | 28" | 991 | 736 | 177 | 20 | 51 | 220 | 102 | F14 | 68 | 612 | F10 | 200 | 500 |
| 800 | 32" | 999 | 844 | 177 | 20 | 51 | 250 | 117 | F14 | 76 | 702 | F10 | 200 | 500 |
| 900 | 36" | 1128 | 961 | 200 | 20 | 51 | 300 | 115 | F16 | 65 | 690 | F10 | 200 | 600 |
| 1000 | 40" | 1222 | 1055 | 200 | 20 | 51 | 380 | 128 | F16 | 80 | 768 | F10 | 325 | 600 |
| 1200 | 48" | 1451 | 1284 | 200 | 30 | 51 | 480 | 153 | F16 | 102 | 918 | F14 | 325 | 700 |

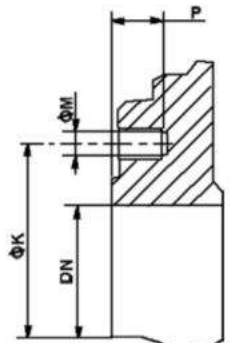
* Torque values doesn't include safety factor

CONNECTION



Connection between flanges EN 1092-1 : ISO PN10

| DN | n | n1 | ØK | ØM | P |
|------|----|----|------|-----|----|
| 700 | 24 | 16 | 840 | M27 | 22 |
| 800 | 24 | 16 | 950 | M30 | 22 |
| 900 | 28 | 20 | 1050 | M30 | 22 |
| 1000 | 28 | 20 | 1160 | M33 | 22 |
| 1200 | 32 | 22 | 1380 | M36 | 22 |



Body details