

MOSCA®

EXCELLENCE IN STRAPPING SOLUTIONS



RO-M FUSION

Automatic strapping machine for
universal applications

RO-M FUSION

STANDARD FEATURES

- Thermostatically controlled heat-weld sealing
- Wear-free DC drive, brushless motor technology
- Strap end detection with ejection of remaining strap
- Easy strap coil change and threading system
- Toggle switch for super soft strapping of individual or very soft packages
- Wear-free, controlled strap track system
- Adjustable strap tension via potentiometer
- Energy-saving drives
- Electronic control
- Hinged front table top
- Sturdy foot pedal for cycle start
- 4 castors of which 2 are lockable
- Structural coating in RAL 5010, gentian blue
- Table top length 600 mm or alternatively 700 mm or 800 mm
- CE marking inclusive conformity declaration

OPTION:

- E-package: Automatic strap release via light sensor with selection of single or permanent strapping and strap tension control via light barrier. Three different strap tensions are explicitly storable by the customer.

TECHNICAL DATA

PERFORMANCE:

Up to 55 cycles per minute at a frame size of 600 mm x 500 mm

FRAME SIZES (WxH):

600 mm x 500 mm
800 mm x 600 mm
1250 mm x 600 mm

WORKING HEIGHT:

800 mm - 905 mm

STRAPS:

Standard machine grade 5, 8 or 12 mm PP strap

STRAP COIL DISPENSER:

Core diameter: 200 mm
Core width: 190 mm

ELECTRICITY:

Voltage: 100-240 V, 50/60 Hz, 1L+N+PE

Power consumption: approx. 0.2 kW

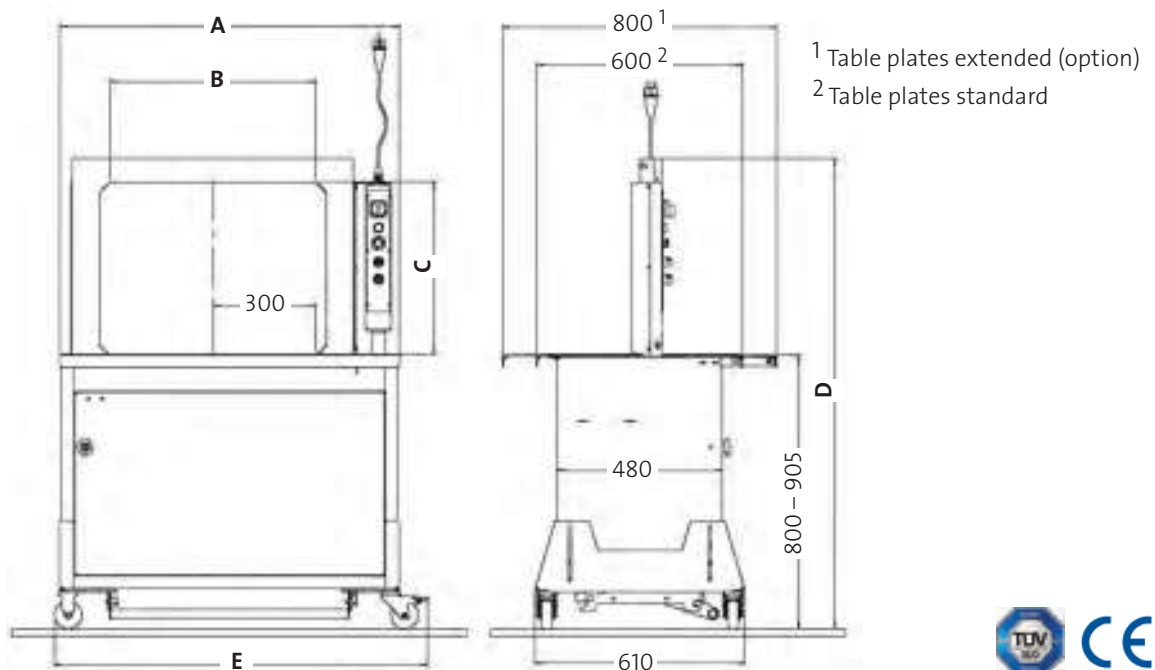
SEALING UNIT:

Standard 3 sealing unit

WEIGHT:

180-240 kg

	A	B	C	D	E
600 x 500	990	600	500	1370 – 1475	1090
800 x 600	1190	800	600	1470 – 1575	1290
1250 x 600	1640	1250	600	1470 – 1575	1740



MOSCA[®]
EXCELLENCE IN STRAPPING SOLUTIONS

MOSCA GMBH

Gerd-Mosca-Straße 1
D-69429 Waldbrunn/Germany
Tel.: +49 6274/932-0
Fax: +49 6274/932-400 118
Tel. Tech. Service: +49 6274 / 932-146
E-Mail: info@mosca.com
Internet: www.mosca.com

12 / 19 Subject to Alterations

The models of RO-M FUSION are adjustable to one strap width of all quality PP straps of 5, 8 or 12 mm. Obtainable directly from Mosca, produced in one of Europe's most modern manufacturing plants. Combinable with maintenance contracts by Mosca – a one-stop solution.

