



Engineering  
with nature

## Vortex fine filter (HK WFF 300)

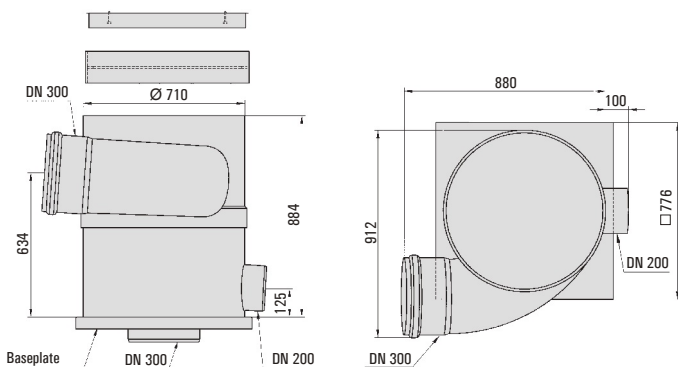
- Filters rainwater from large roof areas of up to 3,000m<sup>2</sup>
- Ideal for industrial and public buildings
- Large filtered water harvesting up to a maximum of 16 litres per second
- Also used for mechanical cleaning of processing water for reuse
- Fulfills DIN 1986
- Stable construction, trucks can drive over it.



### Easily fitted on site, permanently stable and safe in operation !

- The inspection opening can be extended
- Drain pipes can be connected from any direction
- Rainwater inlets with collars
- Water harvesting of over 90%
- Filter inserts of stainless-steel
- Blind insert available for stopping the filter
- Trucks of 60 t can drive over it. (DIN 1072/SLW60)

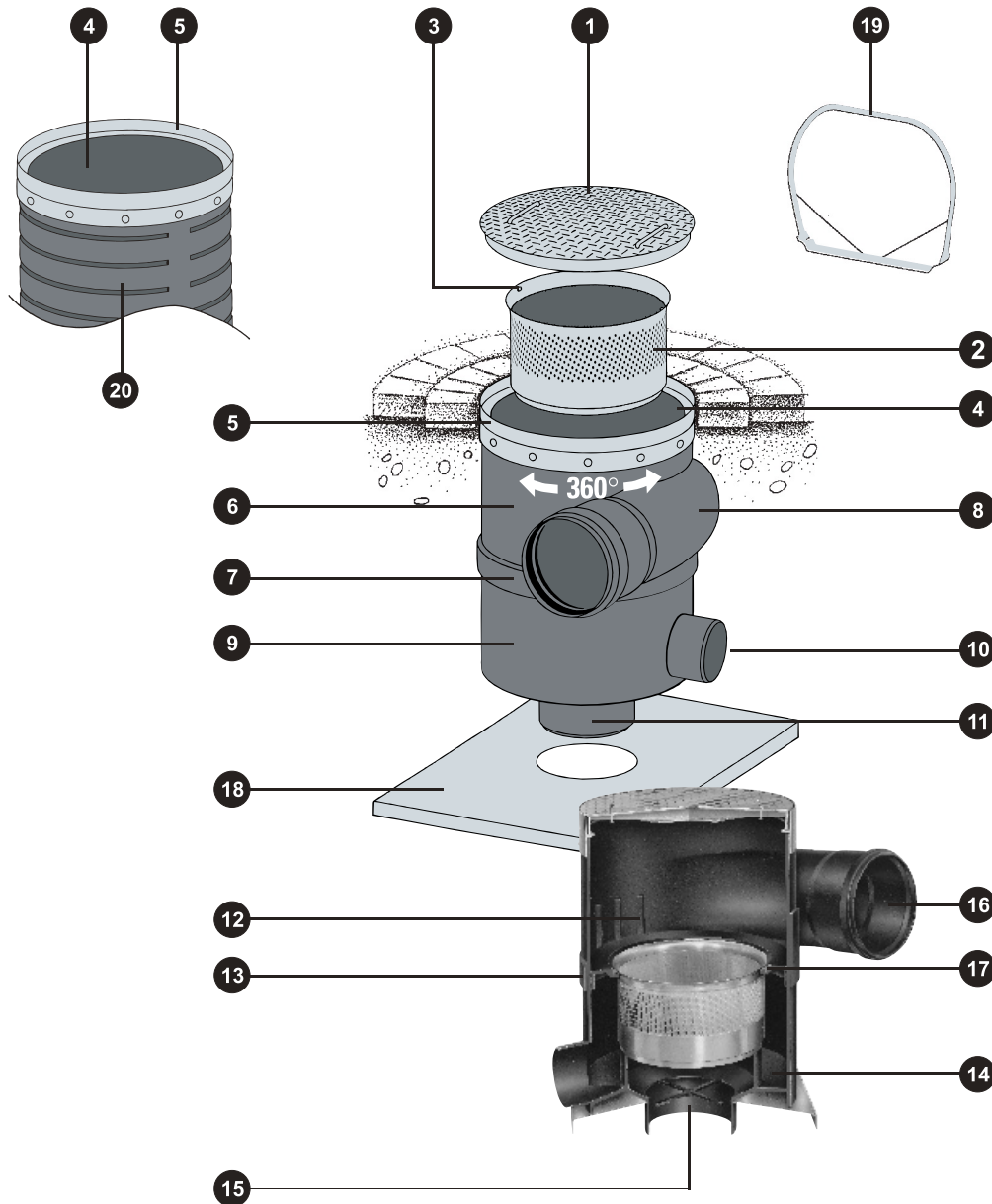
The Vortex Fine Filter (HK WFF 300) filters the rainwater coming from the roof vertically through the adhesion cylinder according to the unique principle. The inspection opening can be raised to ground level for deeper installations with the extension piece.



measures in mm



What is what ?



- |  |  |
|--|--|
| 1. <b>Steel cover</b> – Stable construction carries heavy loads of up to 60 t                    | 10. <b>Filter water outlet</b>   |
| 2. <b>Filter insert</b> – adhesion cylinder completely of stainless-steel                        | 11. <b>Drain connection</b>  |
| 3. <b>Lifting nibs</b>   | 12. <b>Flow restrictor</b>   |
| 4. <b>Inspection opening</b>   | 13. <b>Inflow level</b>  |
| 5. <b>Closing or intermediate ring</b> – of stainless-steel for taking the lid or extension pipe | 14. <b>Catchment and outlet space</b>  |
| 6. <b>Upper housing</b> (polypropylene) – can be turned 360°                                     | 15. <b>Bottom stop</b>   |
| 7. <b>Upper housing insert collar</b>  | 16. <b>Collar with sealing ring</b>  |
| 8. <b>Rainwater inlet</b>  | 17. <b>Upper sealing ring</b>  |
| 9. <b>Lower housing</b> (polypropylene)  | 18. <b>Baseplate</b> – of stainless-steel, bearing construction for distributing loads |
|  | 19. <b>Lifting strap</b> (lifting extensions as accessory)                             |
|  | 20. <b>Extension piece with sealing ring</b> (accessory)                               |