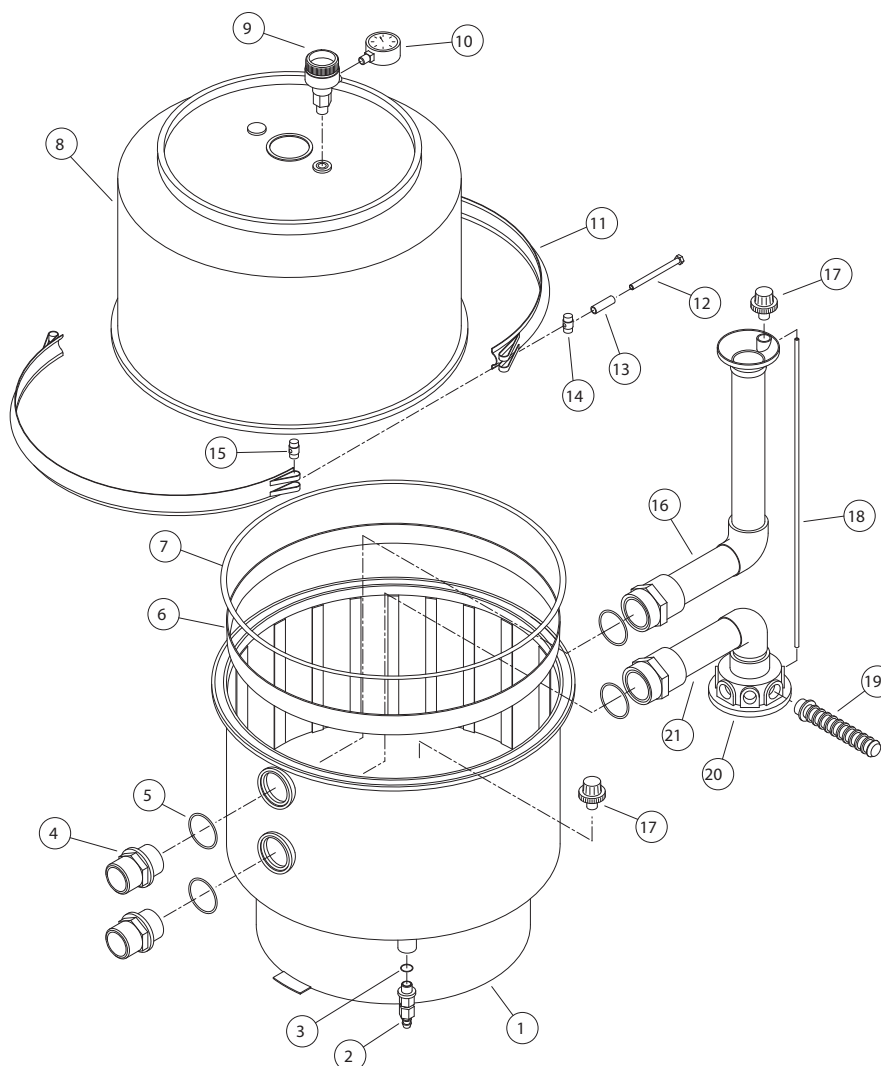


## EUROPA HOMOKSZŰRŐ TARTÁLYOK



1	Oil socket with base
2-3	Drain with hose
4	PVC nipple, AG 50 x 11/2"
5	Silicone O-ring
6	VA inner ring (except for Ø 360 plastic type)
7	Silicone O-ring
8	Filter / top part
9	ABS pressure gauge with suction system
10	Pressure gauge
11	VA spring ring
12-15	Fastening set M8 x 100 mm for spring ring

16	Fitting (top part) consisting of: PVC funnel PVC pipe, PN 10 Ø 50 PVC 90° elbow PVC sleeve, IG 50 x 11/2"
17	Drain or suction nozzle, 3/8"
18	PVC suction pipe, Ø 6
19	Filter nozzles, 110-170-220 mm
20	Middle piece for filter star
21	Base fitting composed of: PVC sleeve, IG 50 x 11/2" PVC 90° elbow PVC middle piece PVC pipe, Ø 50 PN 10

A változtatás jogát fenntartjuk