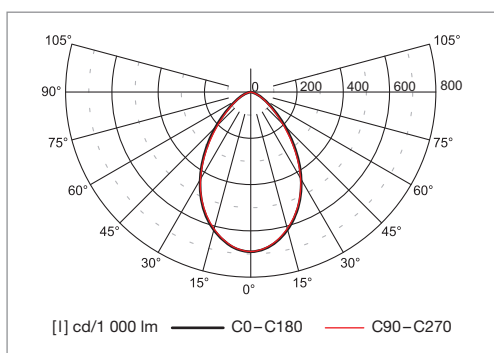


# MultiBay LED 30

Multifunction LED spotlight



### Material:

- body: aluminum casting
- color: grey RAL 7040
- reflector: aluminum, white painted
- diffuser: frosted tempered glass

**Degree of protection:** IP65

**Ambient temperature:** -20 ÷ 40°C

**Rated voltage:** 220/240 V – 50/60 Hz

**Control gear:** LED driver

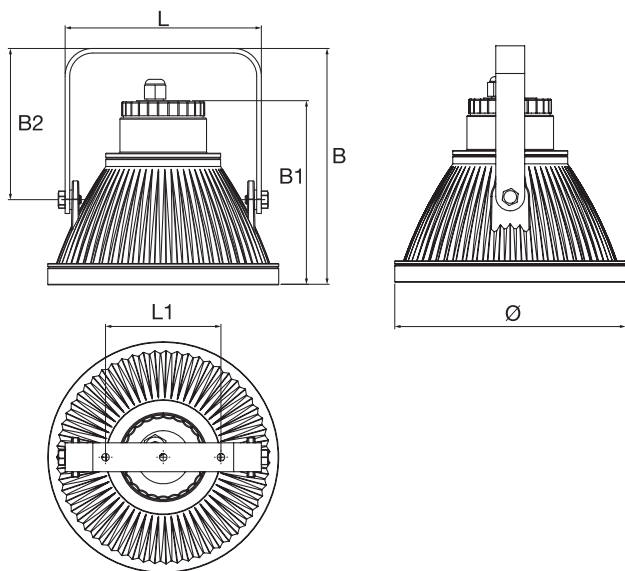
**Service life:** 35 000 hours

**Mounting:** wall or pendant mounting, with spike into the ground

**Accessories (supplied with):**

- bracket for wall mounting (1 pc)
- spike for mounting into the ground
- wire pendant

**Application:** restaurants, lobbies, shops and hotels



W*	• Dimensions (mm) •						N° LED	Weight Kg
	Ø	B	B1	B2	L	L1		
30	200	204	159	131	170	100	80	1.8

\* Indicative power just for comparison purpose with fixtures equipped with tungsten halogen lamps

### SUSPENDED MOUNTING



### MOUNTING ON REVOLVING BRACKET ON WALL/CEILING



### MOUNTING WITH SPIKE INTO THE GROUND



### APPLICATION ON CONSTRUCTION SITE



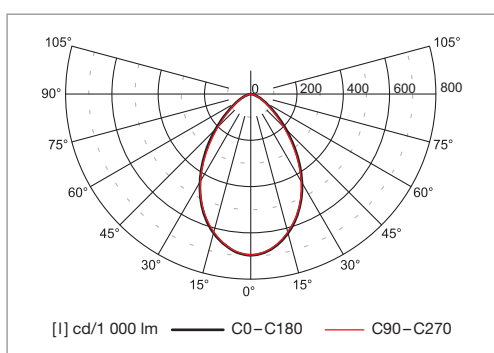
**MultiBay 30 REPLACES  
100W  
HALOGEN FLOODLIGHT**

Power* W	Code	Article	Absorption W	Lum. flux (lm)	lm/W	Color temp. K	Ra	EEC
1×100	76300	HMF LED 30	28	1 800	64	4 000	>80	A

\* Indicative power just for comparison purpose with fixtures equipped with tungsten halogen lamps

# MultiBay LED 50

Multifunction LED spotlight



### Material:

- body: aluminum casting
- color: grey RAL 7040
- reflector: aluminum, white painted
- diffuser: frosted tempered glass

**Degree of protection:** IP65

**Ambient temperature:** -20 ÷ 40°C

**Rated voltage:** 220/240 V – 50/60 Hz

**Control gear:** LED driver

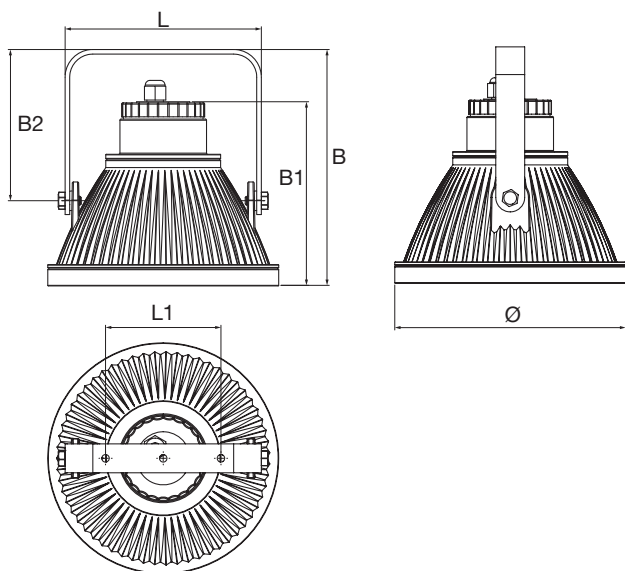
**Service life:** 35 000 hours

**Mounting:** wall or pendant mounting, with spike into the ground

**Accessories (supplied with):**

- bracket for wall mounting (1 pc)
- spike for mounting into the ground
- wire pendant

**Application:** industrial buildings, manufacturing facilities, exhibition and multifunctional halls, gardens and storage space



W*	• Dimensions (mm) •						N° LED	Weight Kg
	Ø	B	B1	B2	L	L1		
150	200	204	159	131	170	100	126	1.8

\* Indicative power just for tungsten halogen lamps comparison purpose.

### SUSPENDED MOUNTING



### MOUNTING ON REVOLVING BRACKET ON WALL/CEILING



### MOUNTING WITH SPIKE INTO THE GROUND



### APPLICATION ON CONSTRUCTION SITE



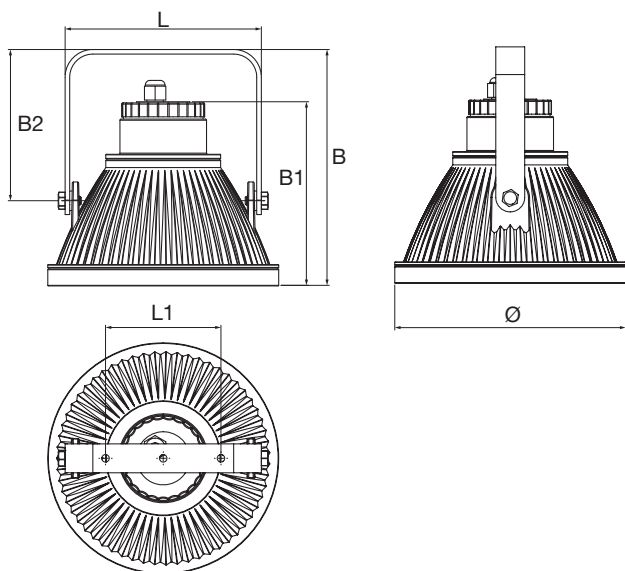
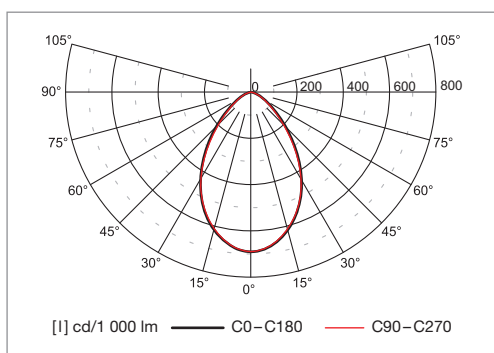
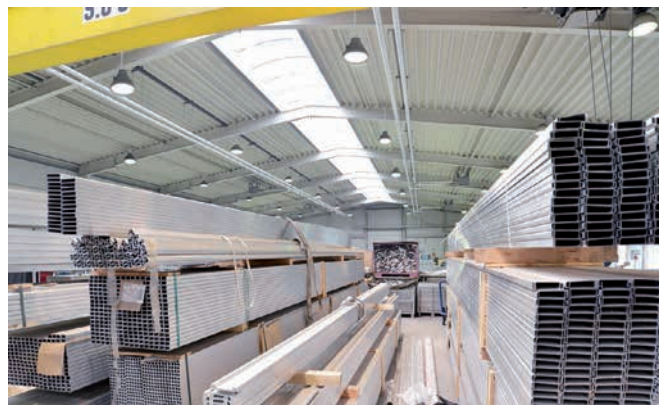
**MultiBay 50 REPLACES  
150W  
HALOGEN FLOODLIGHT**

Power* W	Code	Article	Absorption W	Lum. flux (lm)	lm/W	Color temp. K	Ra	EEC
1x150	76301	HMF LED 50	47	3 250	69	4 000	>80	A

\* Indicative power just for tungsten halogen lamps comparison purpose.

# MultiBay LED 100

Multifunction LED spotlight



## Material:

- body: aluminum casting
- color: grey RAL 7040
- reflector: aluminum, white painted
- diffuser: frosted tempered glass

**Degree of protection:** IP65

**Ambient temperature:** -20 ÷ 40°C

**Rated voltage:** 220/240 V – 50/60 Hz

**Control gear:** LED driver

**Service life:** 35 000 hours

**Mounting:** wall or pendant mounting, with spike into the ground

**Accessories (supplied with):**

- bracket for wall mounting (1 pc)
- spike for mounting into the ground
- wire pendant

**Application:** industrial buildings, manufacturing facilities, exhibition and multifunctional halls, gardens and storage space

W*	• Dimensions (mm) •						N° LED	Weight Kg
	Ø	B	B1	B2	L	L1		
300	305	345	286	205	235	100	150	4.8

\* Indicative power just for tungsten halogen lamps comparison purpose.

## SUSPENDED MOUNTING



## MOUNTING ON REVOLVING BRACKET ON WALL/CEILING



## MOUNTING WITH SPIKE INTO THE GROUND



## APPLICATION ON CONSTRUCTION SITE



**MultiBay 100 REPLACES  
300W  
HALOGEN FLOODLIGHT**

Power* W	Code	Article	Absorption W	Lum. flux (lm)	lm/W	Color temp. K	Ra	EEC
1×300	76302	HMF LED 100	105	6 800	62	4 000	>80	A

\* Indicative power just for tungsten halogen lamps comparison purpose.