

## CONFLUO SLIM LINE



## CONFLUO SLIM LINE

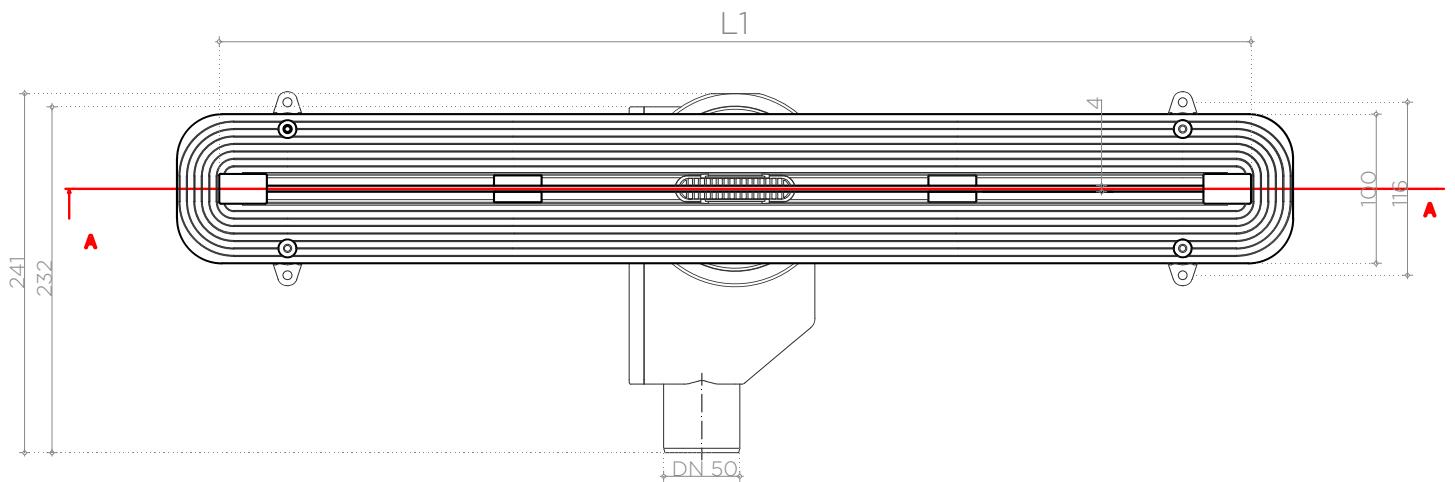
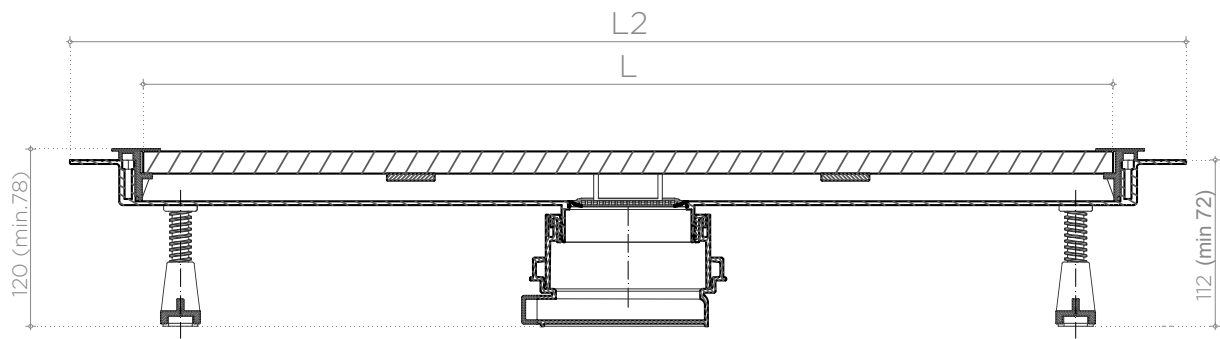
Peštan Confluo SLIM LINE drain made of polypropylene with ABS grid holder, with no side inlets and one horizontal DN 50mm outlet, minimum installation height of 72mm and flow rate of 48 l/min. Base of the drain without socket with water sealing height of 25mm, with height adjustable reducer for linear drain, feet for height and inclination adjustment and with hair stopper. Stainless steel plate and stainless steel grid, with set for fine grid leveling from 5mm up to 20mm.

IMPORTANT TECHNICAL INFORMATION	
Minimum installation height	72mm
Lenghts (sizes represent lenght of grid)	300, 450mm, 550mm, 650mm, 750mm, 850mm, 950mm, 1050mm, 1150mm
Width chanel	20mm
Flow rate (by EN 1253)	48 l/min
Outlet	Ø50mm
Water seal height	25mm
Minimum/maximum height of ceramics (numbers describe constructional height, without glue for ceramics)	5mm-20mm
Grid material	Stainless steel AISI 304 (optional AISI 316)
Body material	ABS (holder of grid)/PP (reducer, base)

### MAIN ADVANTAGES:

- Unique and minimalist design of grid
- ALS - Anti-Leaking System
- Minimum installation height - 72mm
- Maximum flow rate - 48 l/min
- 360 degrees rotatable self - cleaning base
- Height adjustable grid - 5mm - 20mm



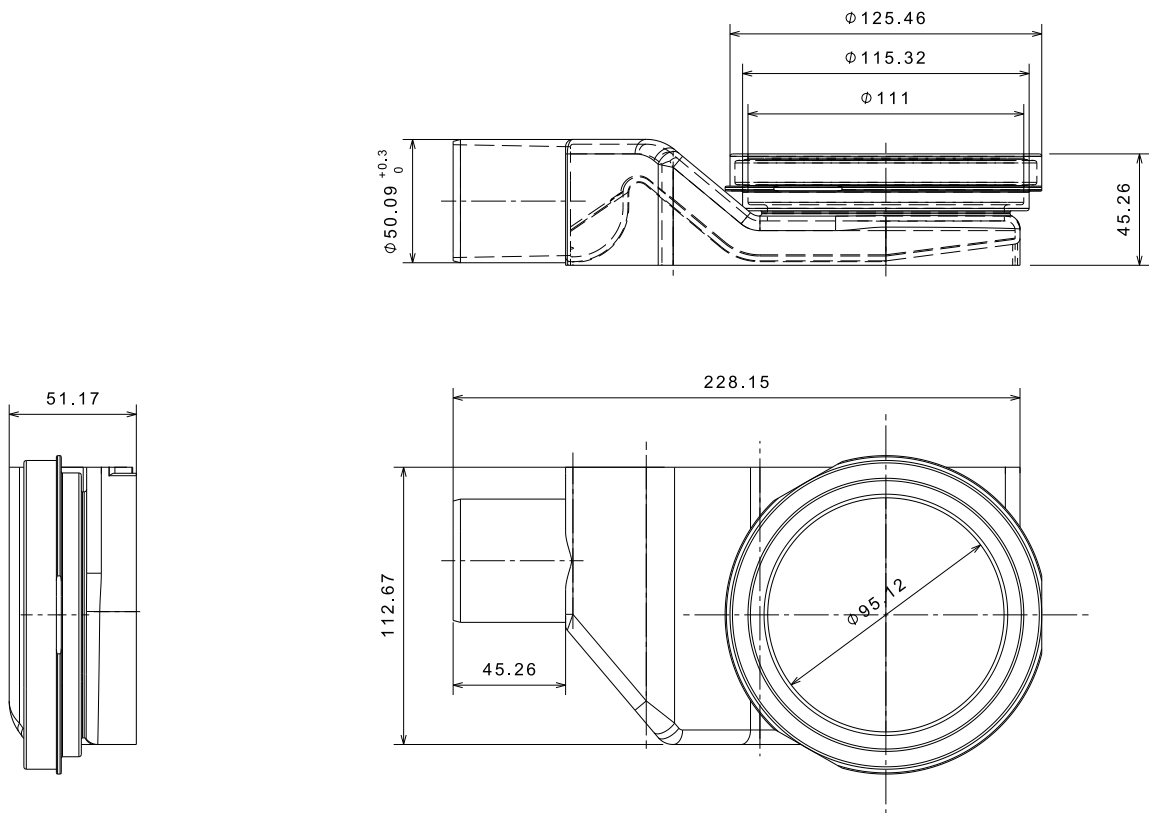


NOTE: Drain length 300 comes without legs. Drain lengths 450, 550 and 650 come in package with two sets of legs for adjusting of height. Drain lengths 750, 850, 950, 1050 and 1150 come in package with four sets of legs for adjusting of height.

L mm	300	450	550	650	750	850	950	1050	1150
L1 mm	342	492	592	692	792	892	1092	1192	1292
L2 mm	398	548	648	748	848	948	1048	1148	1248



Code	Name	Weight	Box dimensions
13100024	CONFLUO "SLIM LINE 300" +	1,567 kg	680mm x 170mm x 130mm
13100023	CONFLUO "SLIM LINE 450" +	1,766 kg	680mm x 170mm x 130mm
13100026	CONFLUO "SLIM LINE 550" +	1,868 kg	680mm x 170mm x 130mm
13100027	CONFLUO "SLIM LINE 650" +	1,935 kg	960mm x 170mm x 130mm
13100028	CONFLUO "SLIM LINE 750" +	2,137 kg	960mm x 170mm x 130mm
13100029	CONFLUO "SLIM LINE 850" +	2,232 kg	960mm x 170mm x 130mm
13000303	CONFLUO "SLIM LINE 950" +	2,333 kg	1280mm x 170mm x 130mm
13000304	CONFLUO "SLIM LINE 1050" +	2,429 kg	1280mm x 170mm x 130mm
13000305	CONFLUO "SLIM LINE 1150" +	2,513 kg	1280mm x 170mm x 130mm



Ultra low S base



1300 Kaplara br. 189  
34301 Bukovik, Aranđelovac  
Srbija

office@pestan.net  
www.pestan.net

Centrala: +381 (0) 34/700-300  
Komercijala: +381 (0) 34/700-336  
+381 (0) 34/700-306  
+381 (0) 34/700-338