

CONFLUO DRY 3



CONFLUO DRY 3

CONFLUO STANDARD drain “DRY 3” made of PP with three horizontal side inlets DN40 and with one horizontal DN 50mm outlet adjustable under the angle of maximum 15°, minimum installation height of 78mm and flow rate of 48l/min.

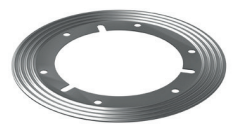
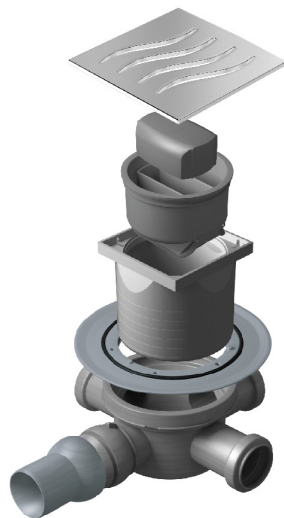
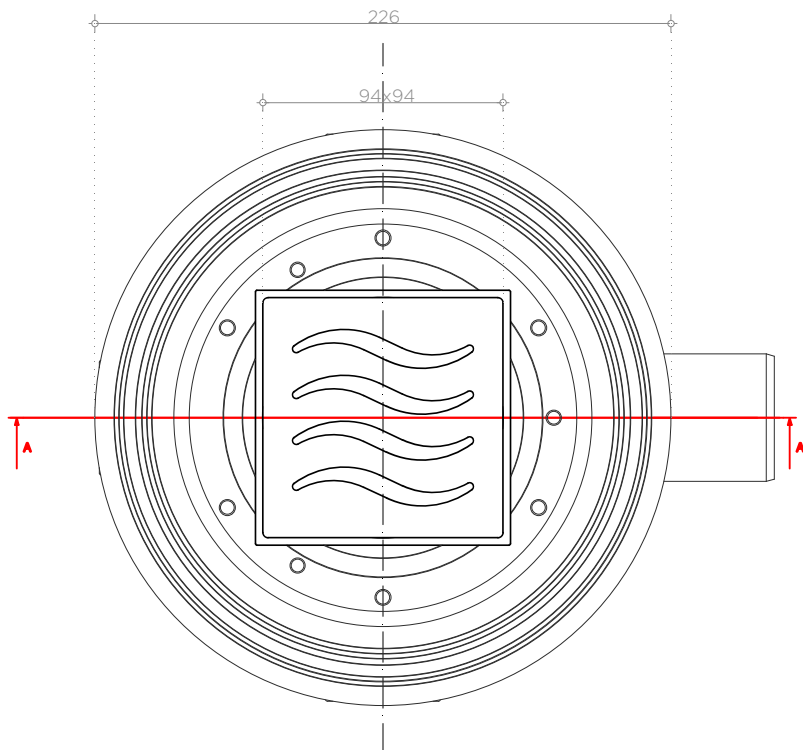
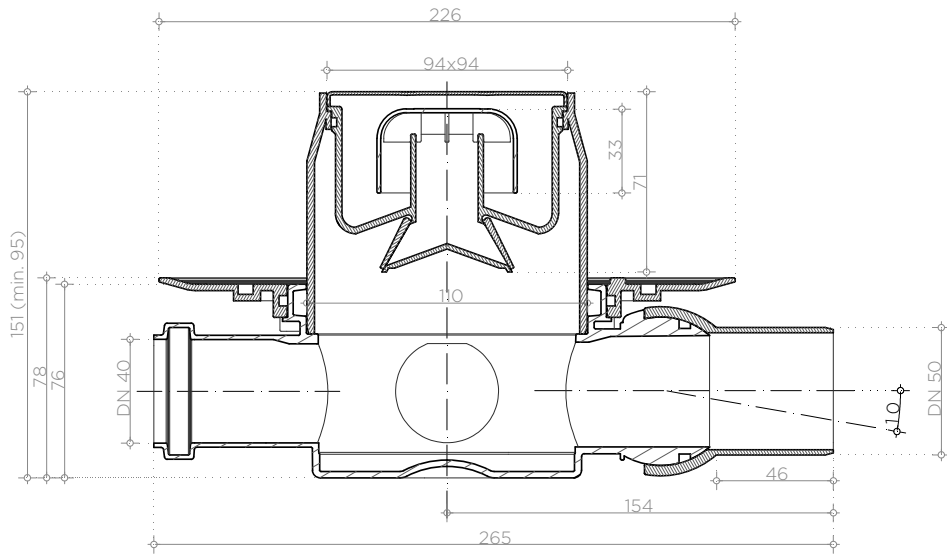
Base of drain with a socket (siphon) of a dry drain, which can be removed, water sealing height of 38mm, with hoop for hydroisolation which can also be removed if necessary and in which it is possible to attach flange for hydroisolation and height-adjustable carrier of a grid.

Stainless steel grid “DRY” dimensions of 94x94 mm.

IMPORTANT TECHNICAL INFORMATION	
Minimum installation height	78mm
Flow rate	48 l/min
Outlet	Ø50
Water seal height	38 mm
Grid load class (by EN 1253)	K3 with stand 300 kg of pressure
Grid material	Stainless steel AISI 304 (AISI 316 optional)
Body material	PP

DRAIN ADVANTAGE:

- Adjustable angle by 15°
- Base rotation 360°
- Easy installation and maintenance
- High flow rate



Hydroisolation
flange optional

CODE	NAME	WEIGHT	BOX DIMENSIONS
13000017	CONFLUO "DRY 3" 10X10	0,796kg	300mmx200mmx250mm
13000311	CONFLUO "DRY 3" 10X10 WITH FLANGE	0,9kg	300mmx200mmx250mm

