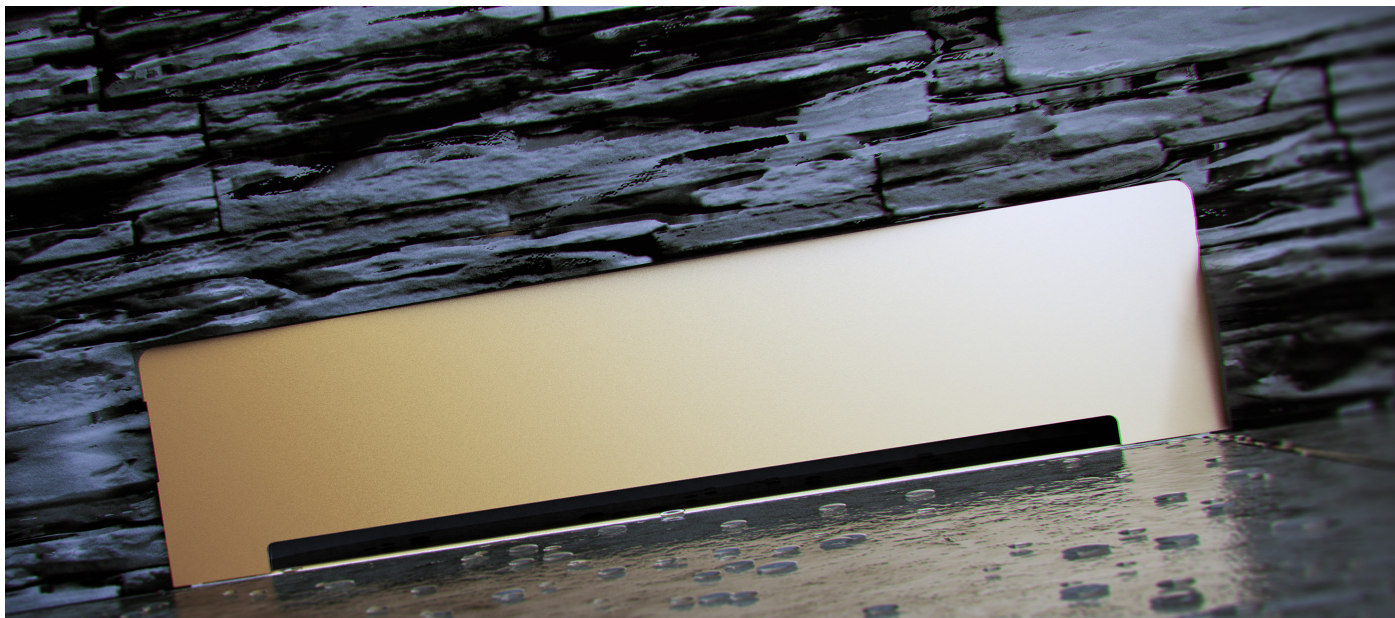


CONFLUO WALL DRAIN GOLD



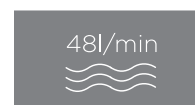
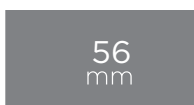
CONFLUO WALL DRAIN GOLD

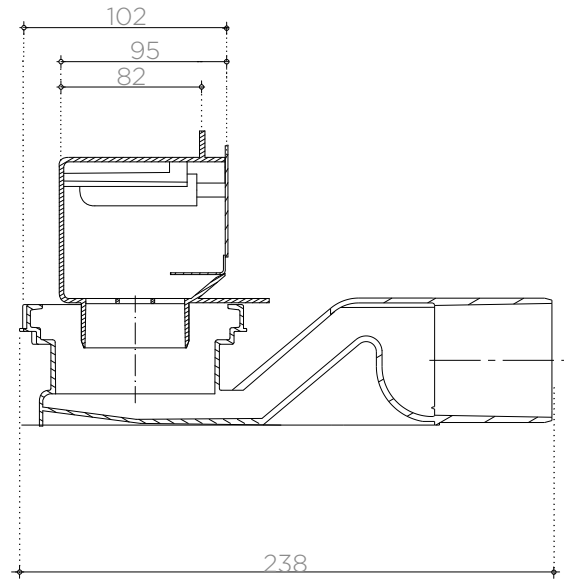
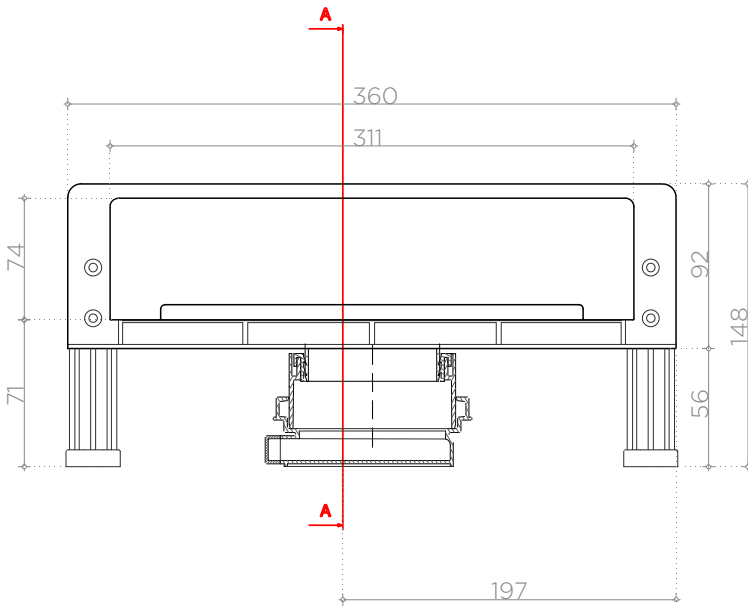
Peštan Confluo WALL drain gold drain made of polypropylene with ABS grid holder, with no side inlets and one horizontal DN 50mm outlet, minimum installation height of 56mm and flow rate of 48 l/min. Base of drain without socket with water sealing height of 25mm, with height adjustable reducer for wall drain and feet for height and inclination adjustment and grid carrier. 24k gold plated stainless steel grid with dimensions 311x74mm.

IMPORTANT TECHNICAL INFORMATION	
Minimum installation height	56mm
Installation depth holder of grid/total	82mm/102mm
Lenghts (sizes represent lengh of grid)	311 mm
Height holder of grid/grid	94mm/74mm
Flow rate (by EN1253)	48 l/min
Outlet	Ø 50mm
Water seal height	25mm
Maximum ceramic thickness between holder of grid and grid. Horizontal/Vertical (numbers describe constructional height, without glue for ceramics)	14mm/13mm
Grid material	Stainless steal AISI 304 (optional AISI 316) 24 carat gold
Body material	ABS (holder of grid)/PP (reducer, base)

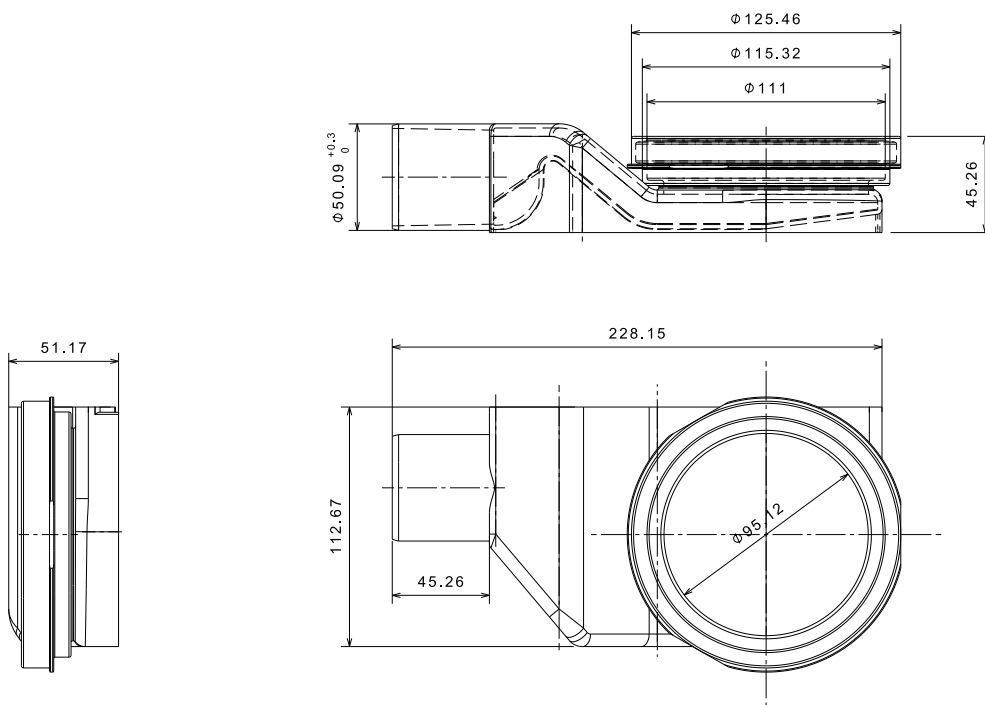
DRAIN ADVANTAGES:

- Minimum installation height - 56mm
- Maximum flow rate - 48 l/min
- ALS - Anti-Leaking System
- 360 degrees rotatable self-cleaning S base
- Perfect model for renovations and bathrooms with concealed cistern





Code	Name	Weight	Box dimensions
13100061	CONFLUO WALL DRAIN GOLD	1,273 kg	360mm x 190mm x 200mm



Ultra low S base



1300 Kaplara br. 189
34301 Bukovik, Aranđelovac
Srbija

office@pestan.net
www.pestan.net

Centrala: +381 (0) 34/700-300
Komercijala: +381 (0) 34/700-336
+381 (0) 34/700-306
+381 (0) 34/700-338