

Series
VENTS OV1



Low pressure axial fans in the steel casing with the for wall mounting.

Air flow:
1700 m³/h for 50 Hz
1650 m³/h for 60 Hz

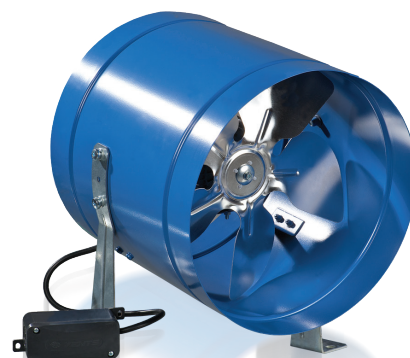
Series
VENTS OVK1



Low pressure axial fans in the steel casing with the for wall mounting.

Air flow:
1700 m³/h for 50 Hz
1650 m³/h for 60 Hz

Series
VENTS VKOM



Low pressure axial fans in the steel casing for inline mounting.

Air flow:
1700 m³/h for 50 Hz
1650 m³/h for 60 Hz

■ **Applications**

Combined supply and extract ventilation systems for various premises where high air flow at relatively low system resistance is required. OV1 and OVK1 fans can be used for the direct exhaust of air. OV1 and OVK1 fans can be mounted onto the external walls.

■ **Design**

OV1, OVK1 and VKOM fan casings are made of steel with polymeric coating. VKOMz fan casing is made of galvanized steel and the impeller is made of aluminium. The terminal box is fitted with a cord for remote connection.

■ **Motor**

Single phase asynchronous motor is equipped with thermal overheating protection with automatic restart. The motor is equipped with slide bearings. Motor rating protection IP 44.

■ **Speed control**

Both smooth and step speed control is performed with the thyristor or autotransformer controller. Several fans can be connected to one controller in case the total power and operating current do not exceed the rated controller values.

■ **Mounting**

The fan is installed on the wall surface by means of square (OV1 series) or round (OVK1 series) mounting plate. VKOM or VKOMz series fan is installed into the duct by means of clamps or directly inside the wall. RM reducers made of polymer-coated steel and RM...Zn made of galvanized steel are designed for connection of VKOM fans with 150, 200 and 250 mm round air ducts. The delivery set of VKOMz includes fixation brackets. The fan is powered through the remote terminal box. Power supply and installation shall be performed in compliance with the manual and wiring diagram on the terminal box.

Designation key

Series and modification	Modifications (for VKOM series)	Dimension-type
VENTS OV1: square mounting plate VENTS OVK1: round mounting plate VENTS VKOM: mounting into a vent duct	Z: galvanized steel	150: branch pipe ø 162 mm 200: branch pipe ø 208 mm 250: branch pipe ø 262 mm 315: branch pipe ø 312/315 mm

Accessories



page 461 page 462 page 463 page 466 page 467

Technical data

	OV1 / OVK1 / VKOM 150		OV1 / OVK1 / VKOM 200		OV1 / OVK1 / VKOM 250		OV1 / OVK1 / VKOM 315	
Voltage [V]	1~ 230							
Frequency [Hz]	50	60	50	60	50	60	50	60
Power [W]	36	26	43	33	68	76	110	104
Current [A]	0.26	0.26	0.28	0.21	0.48	0.51	0.75	0.7
Max. air flow [m³/h]	200	205	405	470	1070	1050	1700	1650
RPM [min ⁻¹]	1300	1590	1300	1615	1300	1450	1300	1365
Noise level at 3 m [dBA]	33	33	32	31	37	38	42	41
Max. transported air temperature [°C]	40							
Protection rating	IP 24 (VKOM IP X4)							



Fixation bracket for surface mounting of VKOM (VKOMz) series fan

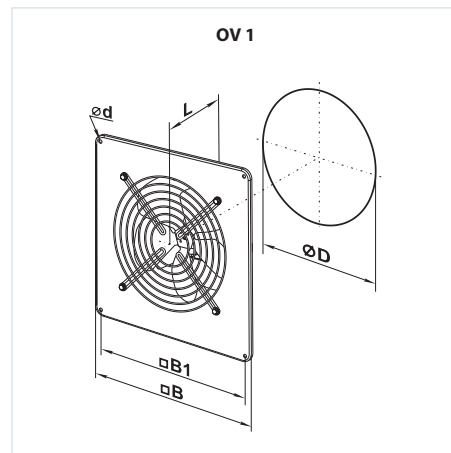
VENTS OV1
 VENTS OVK1
 VENTS VKOM
 FAN SERIES



OV1 fan kitchen ventilation example

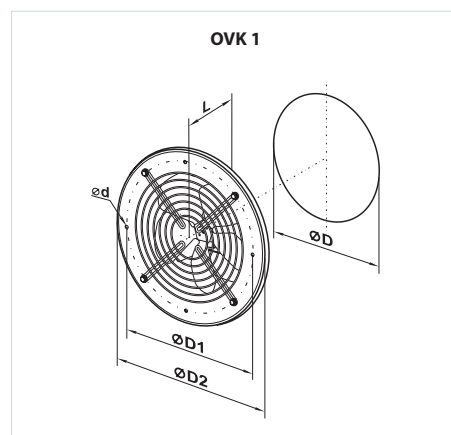
Fan overall dimensions

Type	Dimensions [mm]					Weight [kg]
	∅D	∅d	B	B1	L	
OV1 150	162	7	250	210	120	2.5
OV1 200	208	7	312	260	120	3.0
OV1 250	262	7	370	320	140	3.5
OV1 315	312	9	430	380	170	6.1



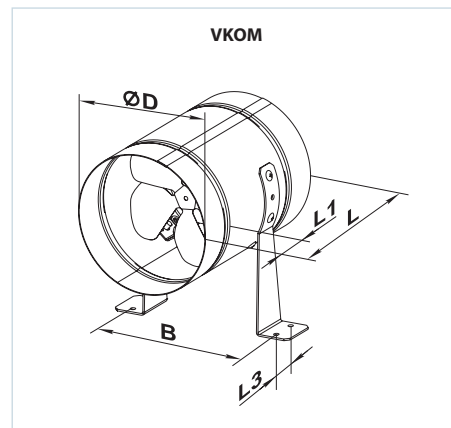
Fan overall dimensions

Type	Dimensions [mm]					Weight [kg]
	∅D	∅D1	∅D2	∅d	L	
OVK1 150	162	190	220	7	120	2.5
OVK1 200	208	270	300	7	120	2.5
OVK1 250	262	330	360	7	140	3.0
OVK1 315	312	390	420	9	170	5.1



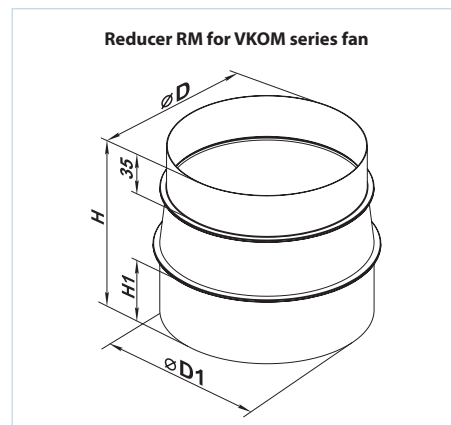
Fan overall dimensions

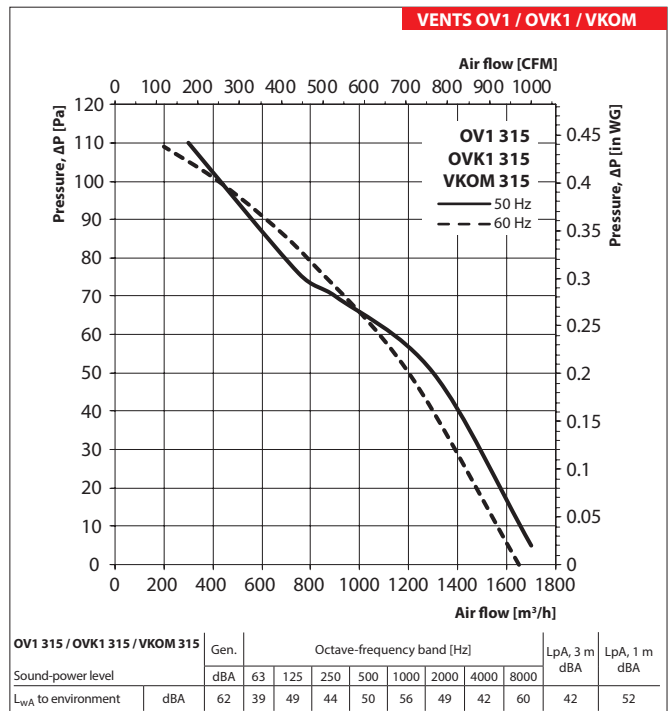
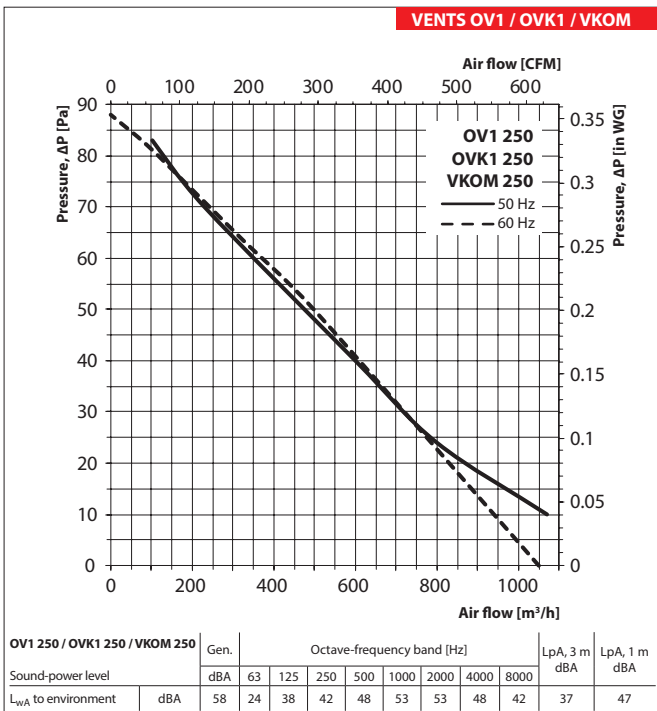
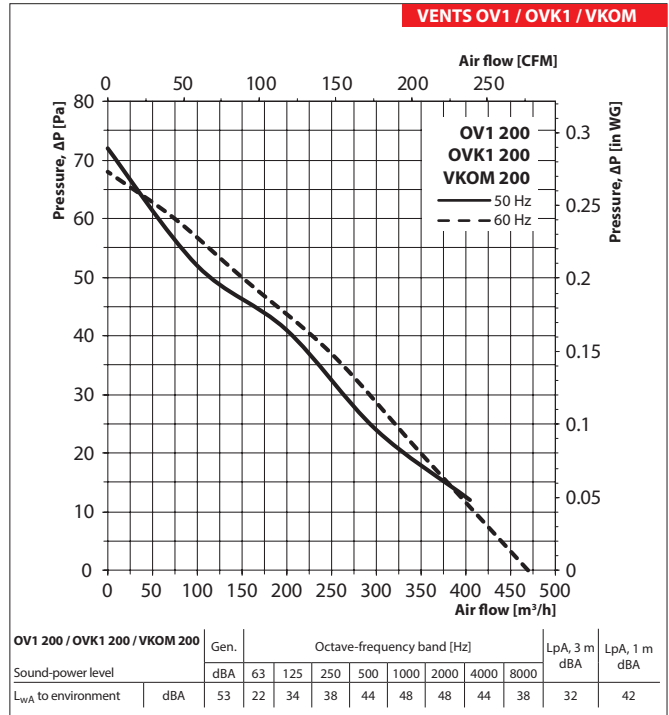
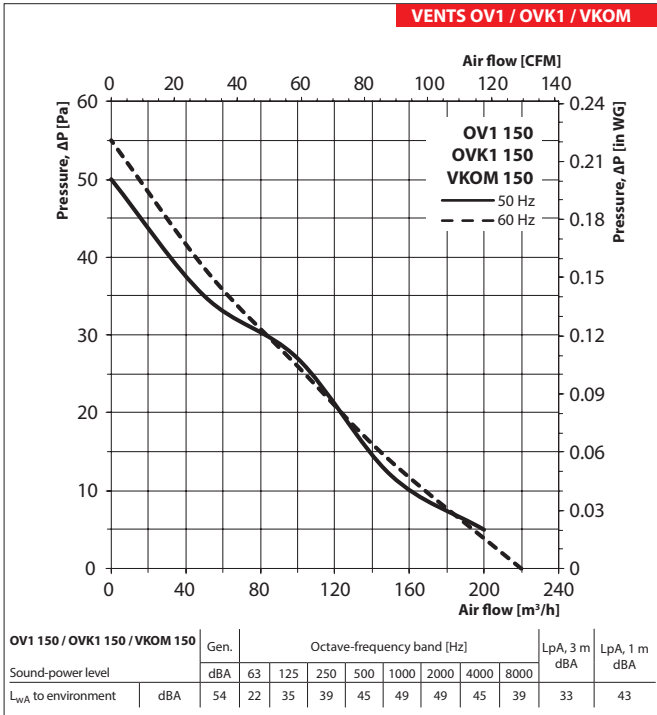
Type	Dimensions [mm]					Weight [kg]
	∅D	B	L	L1	L3	
VKOM 150	162	183	220	40	30	1.8
VKOM 200	208	228	220	40	30	2.4
VKOM 250	262	283	270	55	30	3.7
VKOM 315	315	337	278	55	40	4.9



Overall dimensions of reducers for VKOM fan series:

Type	Dimensions [mm]				Weight [kg]
	∅D	∅D1	H	H1	
RM 148/158	148	158	140	55	0.3
RM 198/204	198	204	140	55	0.4
RM 248/258	248	258	150	65	0.42





VENTS OV1
 VENTS OVK1
 VENTS VKOM
 FAN SERIES