

TECHNICAL DATA SHEET

MRT 2150 2550 PRIVILEGE +

Manitou Telescopic



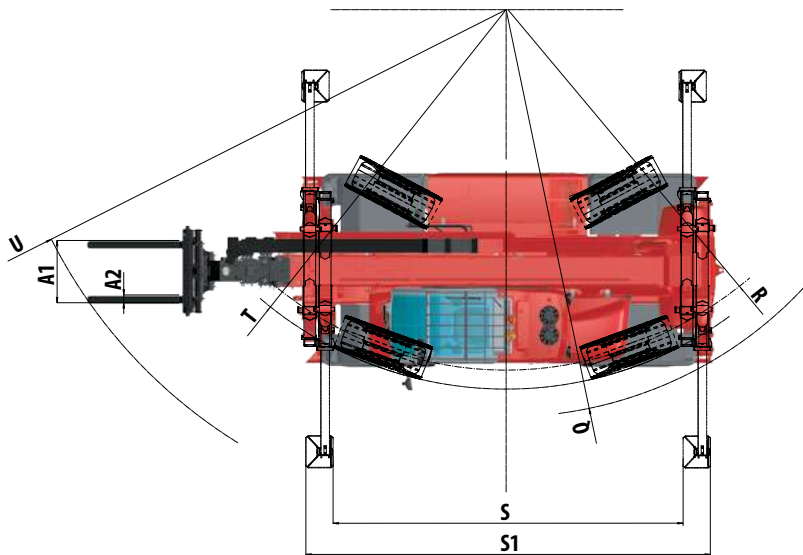
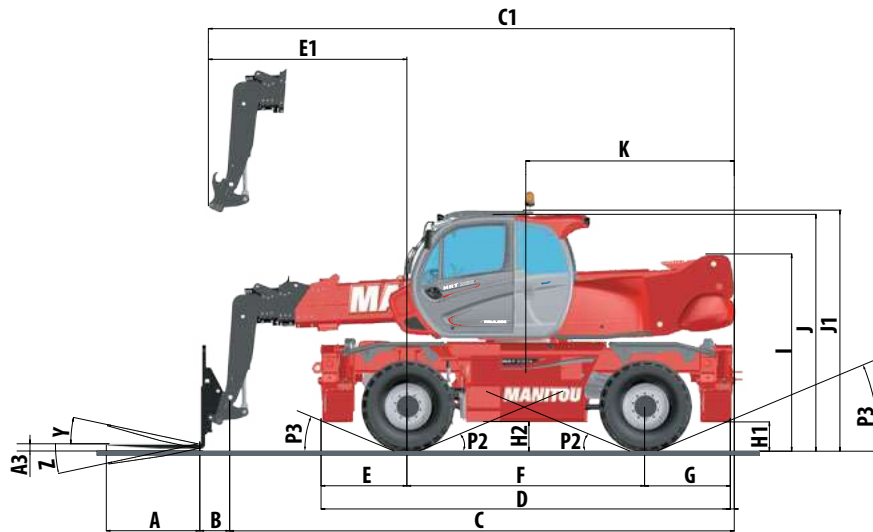
 **MANITOU**
HANDLING YOUR WORLD

MRT 2150 2550 PRIVILEGE +



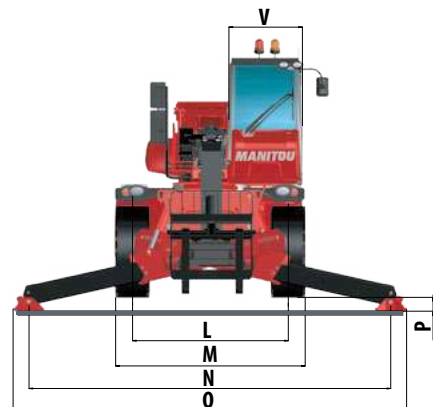
| | MRT 2150 Privilege + | MRT 2550 Privilege + |
|--|--|----------------------|
| Lifting | | |
| Max. capacity with forks at 500 mm LC | 4999 kg | |
| Max. lifting height | 20.90 m | 24.70 m |
| Max. outreach | 17.90 m | 21.40 m |
| Tyres | 445 / 65 R22.5 | |
| Stabilizers | duplex telescopic simultaneously and individually controlled | |
| Full continuous rotation | turret mounted on a double slew ring with internal gearing / slewing system with negative brake | |
| Frame levelling / oscillating axle | on front axles +/- 8° oscillating rear axle with automatic hydraulic lock out on rotation (> +/- 7.5°) and boom height (> 55°) | |
| Braking | | |
| Service brake | oil bath multiple disc brakes hydraulically assisted on both axles | |
| Parking brake | automatic negative parking brake | |
| Engine | MERCEDES - STAGE 4 - FINAL TIER 4 | |
| Type | OM 934 E4-5 | |
| Displacement | 4 cylinders - 5.13 liters | |
| Power | 156 HP/115 kW | |
| Max torque | 675 Nm - from 1200 to 1500 rpm | |
| Gradeability | 40% | |
| Batteries | 24 V: 2x 12V - 120 Ah - 850 A | |
| Transmission | hydrostatic | |
| Drive wheels | 4 wheel drive | |
| Steering mode | 4 wheel steer - 3 steering modes | |
| Max. travel speed <small>(may vary according to applicable regulations)</small> | 36 kph | |
| Controls | 2 multi-function joysticks | |
| Hydraulics | | |
| Hydraulic pump | 115 l/min – 275 bar gear type | |
| Capacities | | |
| Hydraulic oil | 225 l | |
| Fuel | 305 l | |
| Urea (AdBlue type *) | 57 l | |
| Unladen weight (with forks) | 17930 kg | 18900 kg |
| Dimensions | | |
| Overall width | 2.49 m | |
| Overall width <small>(stabilizers extended)</small> | 5.55 m | |
| Overall height | 3.05 m | |
| Overall length to carriage | 6.87 m | 7.84 m |
| Turning radius <small>(over tyres)</small> | 4.88 m | |
| Ground clearance | 0.35 m | |
| Standard forks <small>(length x width x thickness)</small> | 1200 x 150 x 50 mm | |
| Safety | load state monitoring system (crane norm) attachement recognition system (E-Reco) cab compliant with ROPS / FOPS level II standard | |
| Noise and vibration | | |
| Noise at driving position (LpA) | 79.7 dB | |
| Environmental noise (LwA) | 104 dB | |
| Vibration to whole hand/arm | <2.50 m/s ² | |

MRT 2150 2550 PRIVILEGE+

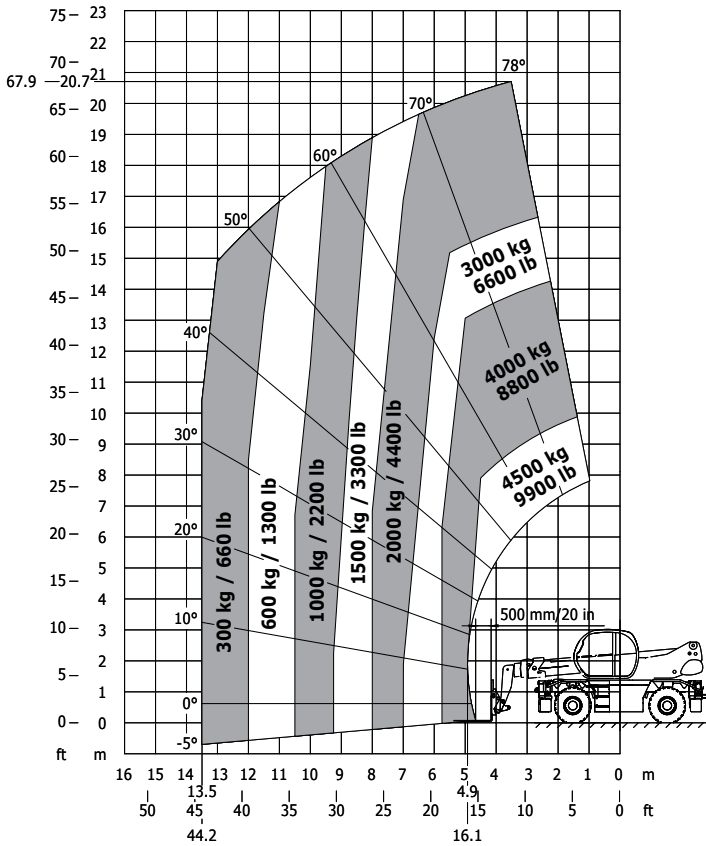


| mm | MRT 2150/2550 | |
|----|---------------|------|
| A | 1200 | |
| A1 | 150 | |
| B | 385 | |
| C | 6485 | 7450 |
| C1 | 6760 | 7745 |
| D | 5350 | |
| E | 1150 | |
| E1 | 2560 | 3045 |
| F | 3050 | |
| G | 1150 | |
| H1 | 350 | |
| H2 | 350 | |
| I | 2630 | |
| J | 3000 | |
| J1 | 3050 | |
| K | 2675 | 3175 |

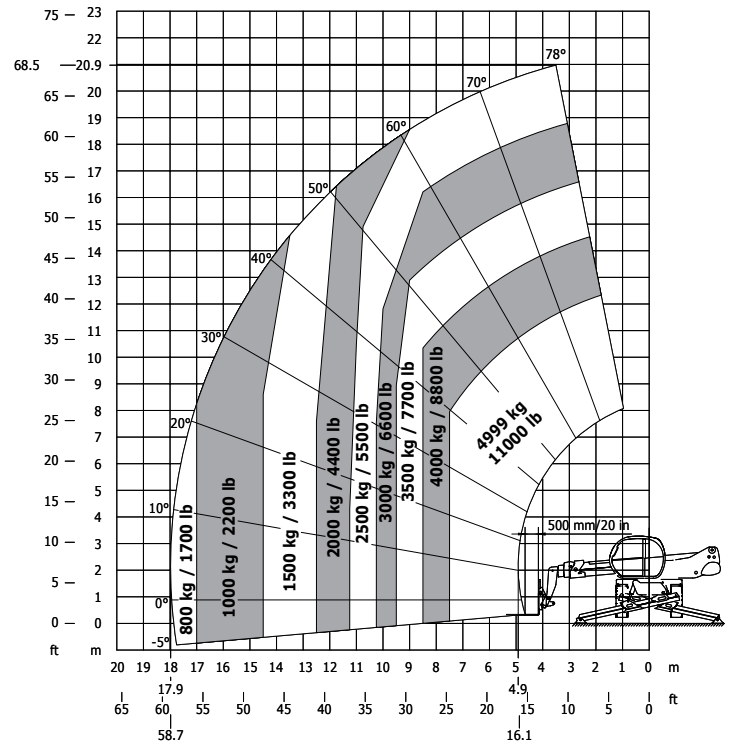
| mm | MRT 2150 /2550 | |
|----|----------------|------|
| L | 2050 | |
| M | 2490 | |
| N | 5140 | |
| O | 5555 | |
| P | 230 | |
| P2 | 15° | |
| P3 | 22° | |
| Q | 5235 | |
| R | 4650 | |
| S | 4500 | |
| S1 | 5190 | |
| T | 4880 | |
| U | 6550 | 6915 |
| V | 950 | |
| Y | 12° | |
| Z | 105° | |



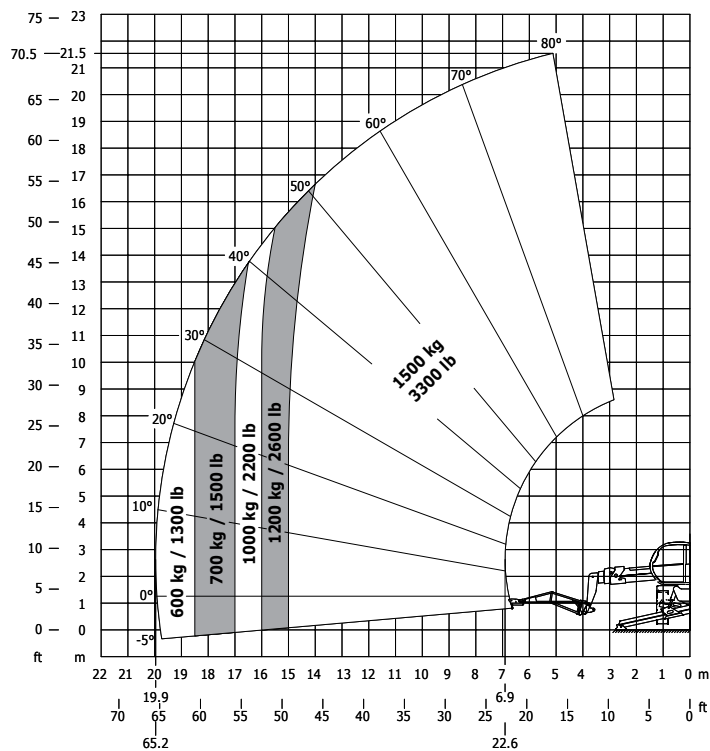
**Frontal on wheels
with forks**



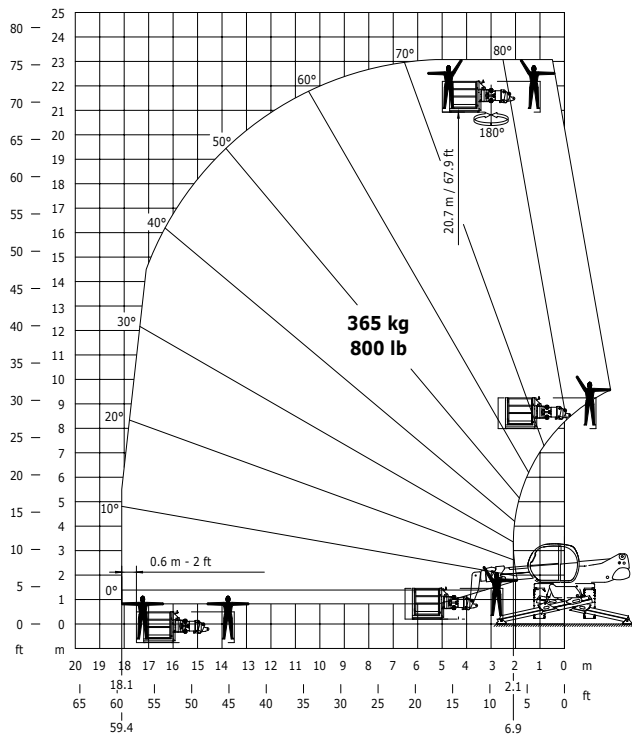
**Rotation on extended stabilizers
with forks**



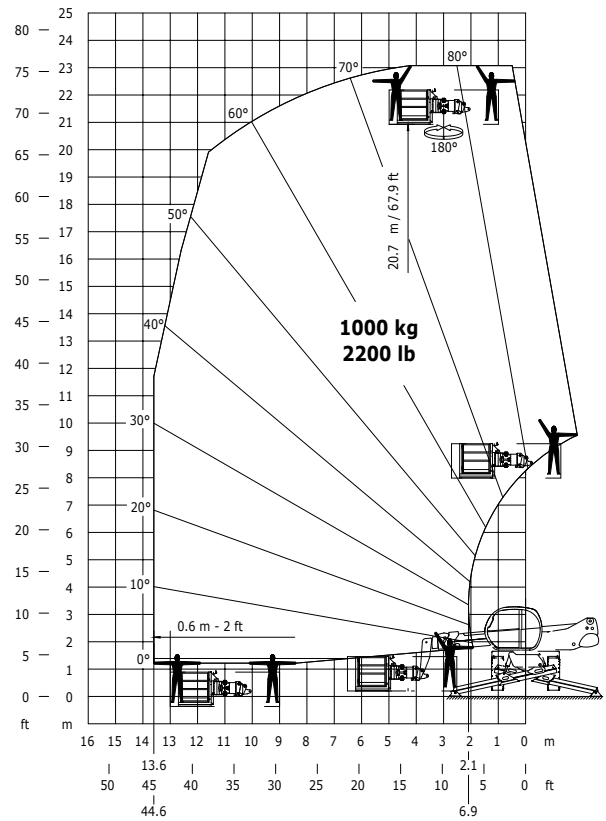
**Rotation on extended stabilizers
with 1500 jib**



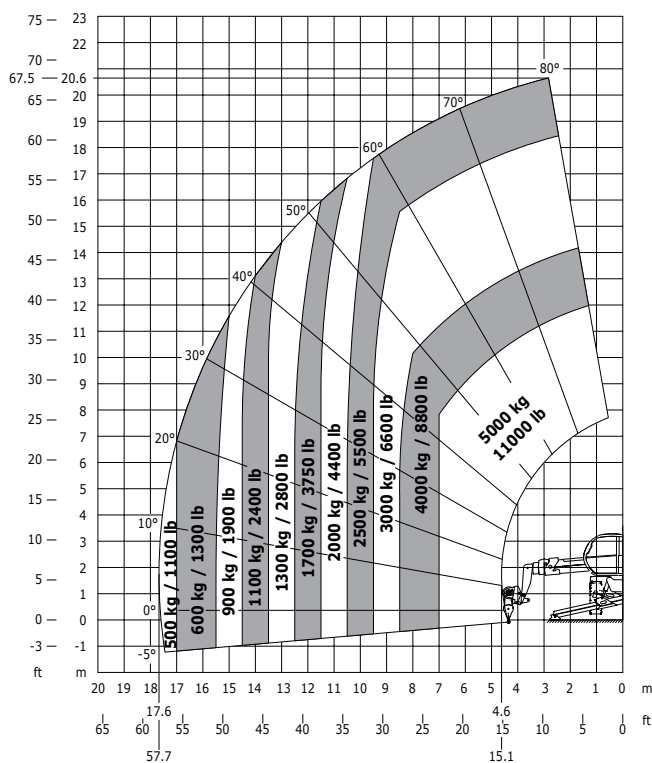
**Rotation on extended stabilizers
with 365 kg platform**



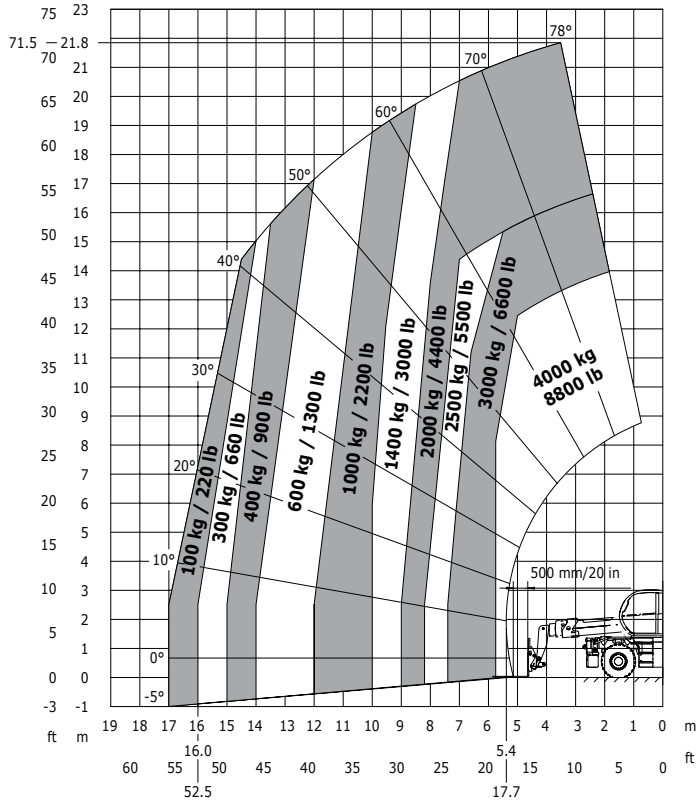
**Rotation on extended stabilizers
with 1000 kg platform**



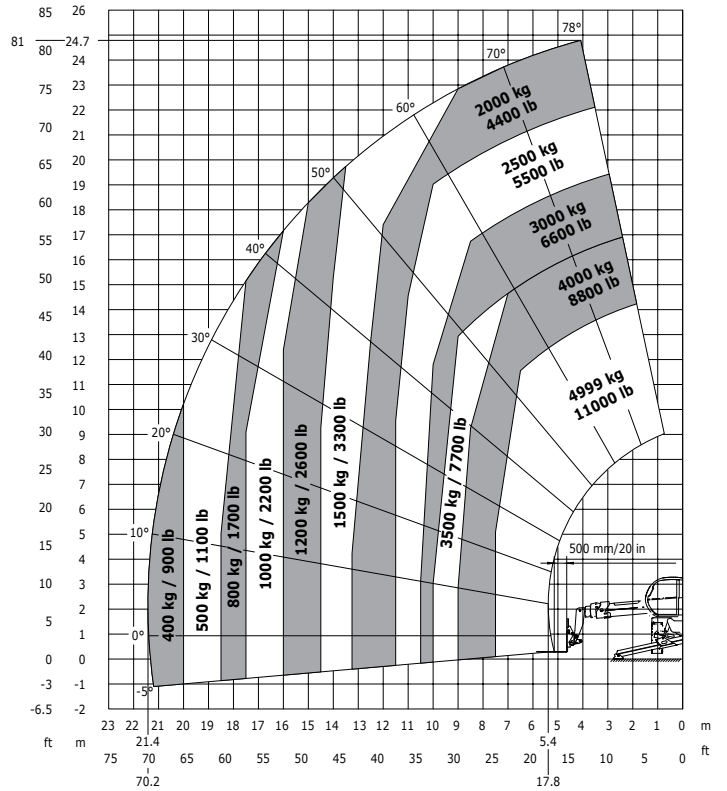
**Rotation on extended stabilizers
with 5000 kg winch**



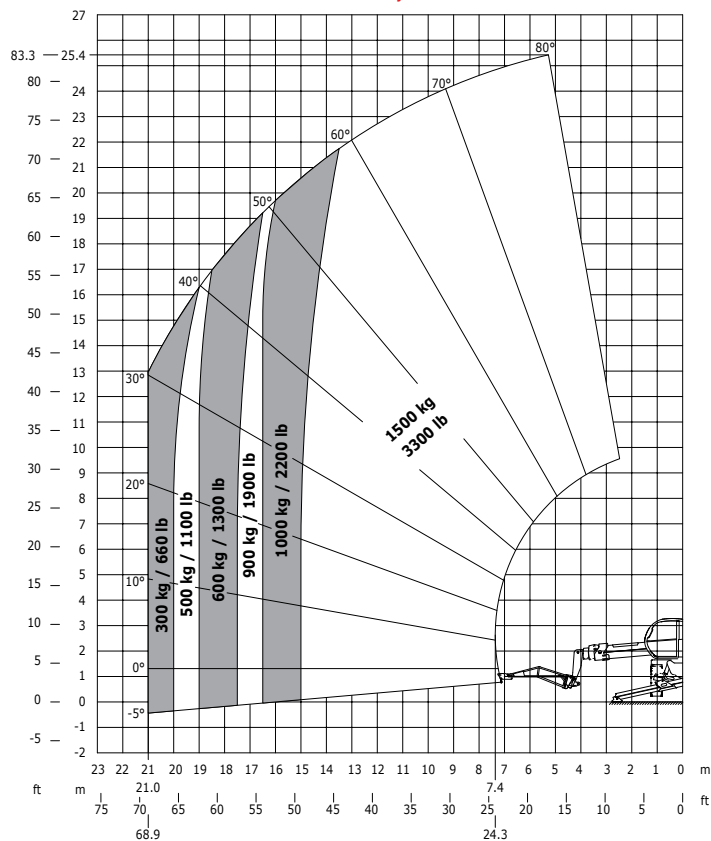
**Frontal on wheels
with forks**



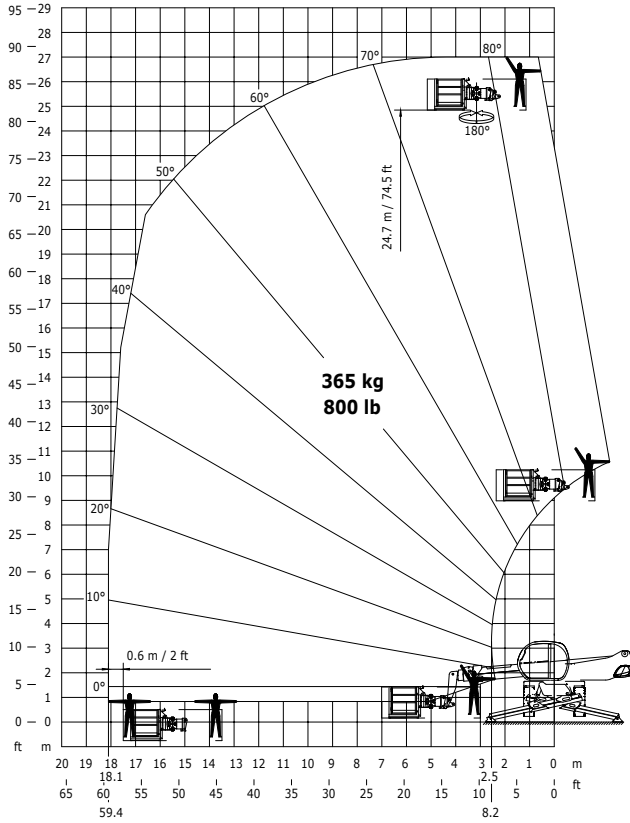
**Rotation on extended stabilizers
with forks**



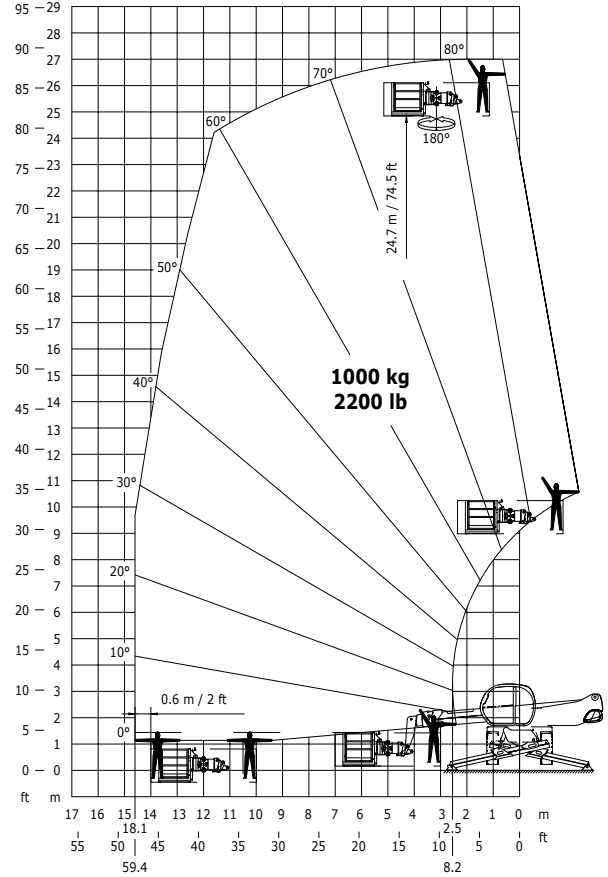
**Rotation on extended stabilizers
with 1500 jib**



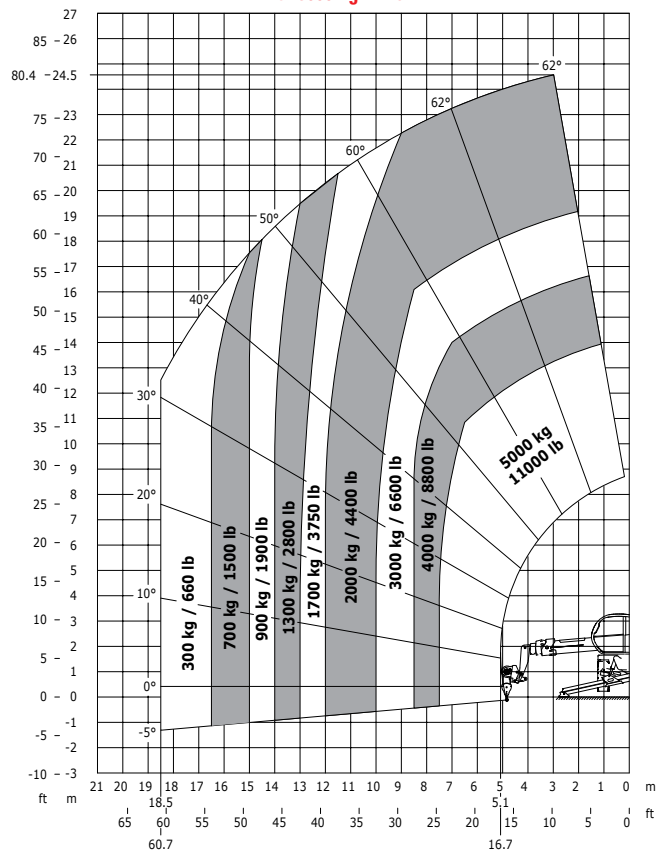
**Rotation on extended stabilizers
with 365 kg platform**



**Rotation on extended stabilizers
with 1000 kg platform**



**Rotation on extended stabilizers
with 5000 kg winch**



Your MANITOU dealer



Head office :

B.P. 249 - 430 rue de l'Aubinière - 44158 Ancenis Cedex - France

Phone.: +33 (0)2 40 09 10 11 - Fax: +33 (0)2 40 09 10 97

www.manitou.com

