

Hiab XS 044

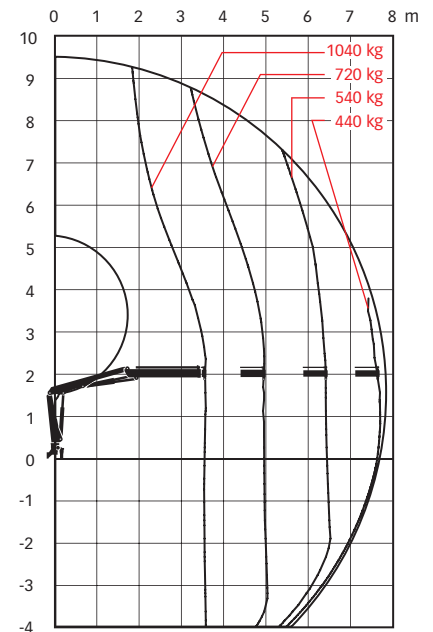
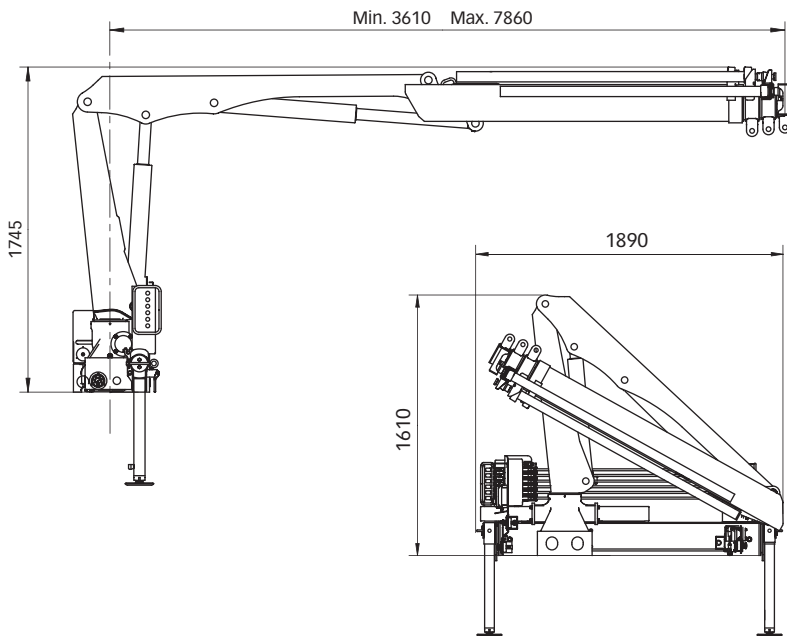
Range 3.7-4.0 tm



Hiab XS 044 Basic data

Technical data	B-1 CLX	D-4 CLX	B-1 Duo	D-4 Duo	B-1 HiDuo	D-3 HiDuo
Max. lifting capacity (kNm)	37	36	37	36	37	37
Outreach, hydraulic extensions (m)	-	-	-	-	-	-
Outreach, manual extensions (m)	8	-	8	-	8	9,4
Outreach / lifting capacity (m / kg)	3.4 / 990	3.5 / 980	2.2 / 1720	2.7 / 1360	2.2 / 1720	2.2 / 1700
	4.7 / 780	4.8 / 680	3.4 / 1080	3.5 / 980	3.4 / 1080	3.5 / 1040
	-	6.2 / 500	4.7 / 780	4.8 / 680	4.7 / 780	4.8 / 720
	-	7.7 / 390	-	6.2 / 500	-	6.2 / 540
	-	9.1 / 330	-	7.7 / 390	-	7.7 / 440
-	-	-	9.1 / 330	-	-	
Slewing angle	380 - 380	380 - 380	380 - 380	380 - 380	380 - 380	380 - 380
Height in folded position (mm)	1610	1610	1610	1610	1610	1610
Width in folded position (mm)	1890	1890	1890	1890	1890	1890
Installation space needed (mm)	535	600	535	600	535	580
Weight, "standard" crane without stabilizers (kg)	450	575	450	575	450	540
Weight, stabilizer equipment (kg)	56	56	56	56	56	56

Hiab XS 044 D-3 HiDuo



Disclaimer. Hiab cranes have been built to meet the highest standards of safety and service life and have been thoroughly tested. Strength calculations for this model have been carried out in accordance with EN13001 in fatigue class S1. Cargotec's certified Quality Assurance System complies with ISO 9001. Some of the items in our literature may be extra equipment. Certain applications may require an official permit. We reserve the right to change technical specifications without prior notice. Hiab cranes produced for EU-countries are CE-marked and comply with the European Standard EN 12999.

Cargotec improves the efficiency of cargo flows by offering solutions for the loading and unloading of goods on land and at sea – wherever cargo is on the move. Cargotec's main daughter brands for cargo handling Hiab, Kalmar and MacGregor are global market leaders in their fields. www.cargotec.com