

Hiab Multilift

XR Power range hooklifts

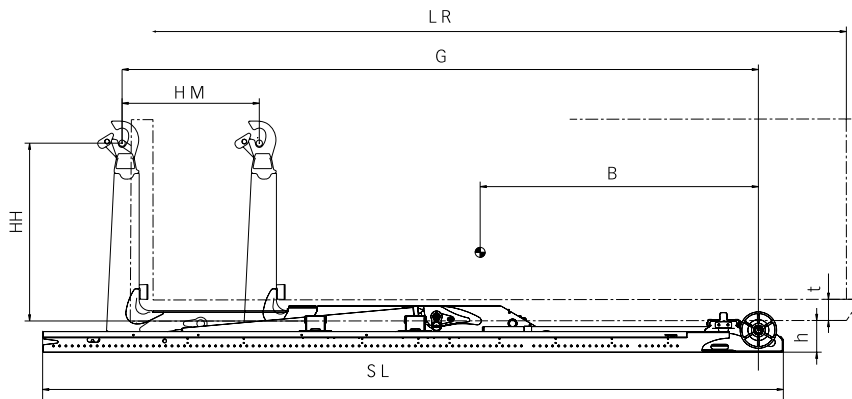


TECHNICAL INFORMATION

XR26S

TECHNICAL DATA

TYPE	XR26S							
VEHICLE TYPE	4 axle							
GVW OF THE VEHICLE (t)	32							
CAPACITY (t)	26							
G-LENGTH	51	53	56	59	61	63	70	78
SYSTEM WEIGHT (kg) *	2550	2650	2680	2730	2750	2790	3080	3230
TIPPING ANGLE (°)	49	52	52	52	49	46	50	46
MAX. OPERATING PRESSURE (MPa)	30							
RECOMMENDED MAX. OIL FLOW (l/min)	120 (special 150)							

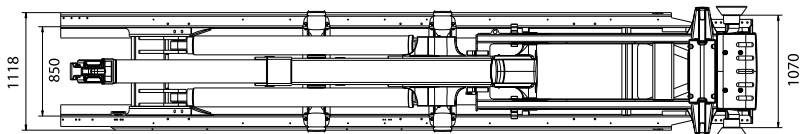


* Weight includes hydraulic body locking and excludes oil tank and oil

** The subframe length (SL) can be reduced to achieve a final installation length. The minimum installation length depends upon country and control valve position. For an exact installation length dimension please contact your local Hiab Multilift dealer.

Hiab Multilift equipments meet the demands set forth in the EU Machine Directive and they are CE marked.

We reserve the rights for modifications. Illustrations do not always show an equipment in standard version.



PRIMARY DIMENSIONS

MODEL	XR26S.51	XR26S.53	XR26S.56	XR26S.59	XR26S.61	XR26S.63	XR26S.70	XR26S.78
LR = BODY LENGTH (m) min - max	4,3 - 6,1	4,5 - 6,4	4,5 - 6,6	4,7 - 6,9	4,9 - 7,1	5,1 - 7,3	5,8 - 8,0	6,6 - 8,8
SL = SUBFRAME LENGTH (mm) **	5933	6563	6563	6563	6733	6783	7783	8419
B = CENTRE OF GRAVITY (mm)	2700	2850	2950	3000	3150	3300	3900	4350
G = EXACT G-LENGTH (mm)	5080	5360	5560	5860	6080	6310	6980	7780
HM = HORIZONTAL MOVEMENT (mm)	1100	1100	1300	1450	1450	1450	1450	1450
t = MIN. FREE TUNNEL HEIGHT (body) (mm)	105							
h = INSTALLATION HEIGHT (mm)	290							
HH = HOOK HEIGHT (mm) ***	1570							

Cargotec improves the efficiency of cargo flows on land and at sea – wherever cargo is on the move. Cargotec's daughter brands Hiab, Kalmar and MacGregor are recognised leaders in cargo and load handling solutions around the world. Cargotec's global network is positioned close to customers and offers extensive services that ensure the continuous, reliable and sustainable performance of equipment. www.cargotec.com



Cargotec Finland Oy
 Nesteentie 36, P.O.Box 39
 FI-21201 Raisio, Finland
 tel. +358 204 55 2399
 fax +358 204 55 2231
www.hiab.com