



# EasyGate

Swing & Sliding Speed Gates



The EasyGate speed gate range represents the latest innovation in entrance control systems, combining high security with user comfort. The combination of stainless steel together with glass, wood or other material (corian, black stainless steel or others) create an attractive aesthetic design. The powerful drive unit provides a large number of operating modes, good accessibility and a high level of personal safety.

A wide range of cabinet shapes, design and surface finishes, ensures that the turnstile will seamlessly fit into any interior decor.



## SWING TECHNOLOGY

combines the slim design of the EasyGate cabinet with a high speed drive unit. Our designers focused on fitting swing speed gates to any location whilst keeping the ability to implement a wide range of optional accessories without limitation. Moreover our technology offers different Swing models for indoors, as well as outdoor installation with the additional option of altering the cabinet length and glass wing barrier height which provides the perfect solution for all projects.

## SLIDING TECHNOLOGY

also known as speed gate technology has been developed by COMINFO to the highest design and security level. Sliding opening provides an intuitive and easy passage for the users. These speed gates are adaptable and a various accessories and terminals or readers are easily integrated. The large variety of shapes and materials used for each sliding speed gate makes this turnstile suitable for any interior.

## CONTENTS

---

### Swing Speed Gate Technology

- 4 EasyGate Superb
- 6 EasyGate Elite / EliteS
- 8 EasyGate LC
- 10 EasyGate IM
- 12 EasyGate BV
- 14 EasyGate SPT-G/R
- 16 EasyGate SPD-G/R
- 18 EasyGate SG/SR 1000 & 1320

### Sliding Speed Gate Technology

- 20 EasyGate LG
- 22 EasyGate BG
- 24 EasyGate LX/LH
- 26 EasyGate FL/FH

### Special Applications

- 28 EasyGate SPT Outdoor
- 30 EasyGate WN
- 32 EasyGate SPA
- 34 EasyGate SBG
- 36 Interlock gate

### 38 Specification Overview

### 42 Options & Accessories

### 44 Project Design

### 47 EasyGate Integration



# EasyGate Superb

## Type

Swinging technology  
1 wing / 2 wings  
Square front

## Safety & Security Detection

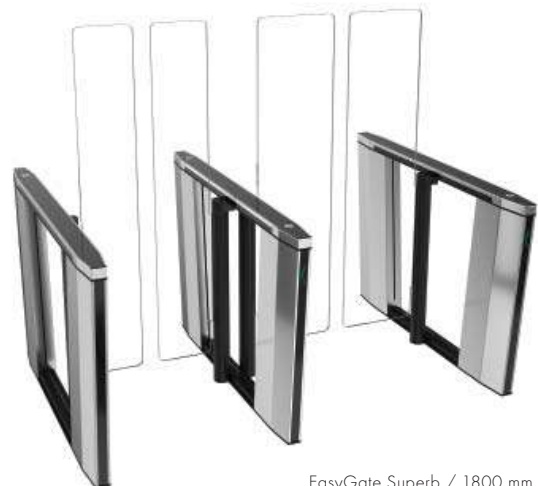
- 24 pairs of IR sensors
- Safety & Security levels
- Tailgating / Cross over detection

## Dimensions

|                         |  |        |
|-------------------------|--|--------|
| Cabinet height          | 990 mm   | 38.98" |
| Cabinet length          | 1 580 mm   | 55.12" |
| Cabinet width           | 99 mm  | 5.95"  |
| Barrier height standard | 990 mm   | 38.98" |
| Barrier height max.     | 1 800 mm   | 70.87" |
| Passage width standard* | 650 mm   | 25.59" |
| Passage width max.*     | 1 100 mm   | 43.31" |
|                         | <i>for height of glass wing up to 1 400 mm</i>   |        |
|                         | max 920 mm                                       | 36.22" |
|                         | <i>for height of glass wing 1 400 - 1 800 mm</i> |        |



EasyGate Superb / 990 mm



EasyGate Superb / 1800 mm

\* For 2 wings type



### Standard Materials and Colours

|                   |                                     |
|-------------------|-------------------------------------|
| Cabinet           | Brushed Stainless Steel             |
| Top Lid           | Black Glass                         |
| Barriers          | Tempered Glass Panels (10 mm/0.39") |
| Side Infill Panel | Tempered Glass Panels (6 mm/0.24")  |

### Operating Environment

Indoor

### Drive Mechanism

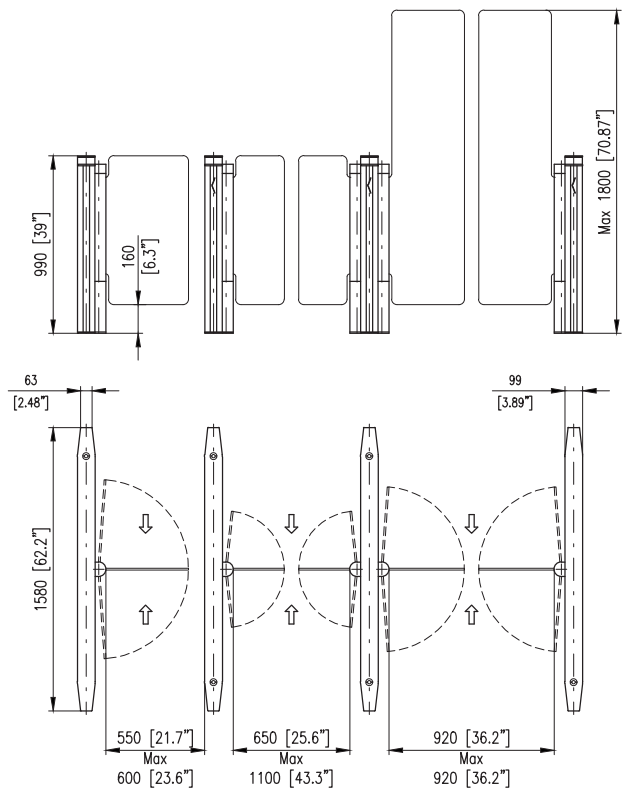
Fail-Safe

### Emergency Mode

Open automatically in the exit direction

### Optional Accessories

- RFID reader bracket (flush mounted)
- Passage Light
- Access Light
- Lane Light
- WAV player
- USB convertor / Ethernet convertor
- RF remote control
- EasyTouch / TouchPanel / T-MON SW
- SuperCap (emergency power back-up)
- Integration of Card collector
- Ramp - Installation without drilling





# EasyGate Elite / EliteS

## Type

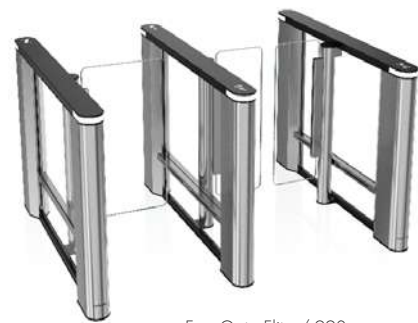
Swing technology  
1 wing / 2 wings  
Round front

## Safety & Security Detection

- 30 pairs of IR sensors - Elite
- 18 pairs of IR sensors - EliteS
- Safety & Security levels
- Tailgating / Cross over detection

## Dimensions

|                         |  |        |
|-------------------------|--|--------|
| Cabinet height          | 990 mm   | 38.98" |
| Cabinet length Elite    | 1 400 mm   | 55.12" |
| EliteS                  | 1 070 mm   | 42.10" |
| Cabinet width           | 120 mm   | 4.72"  |
| Barrier height standard | 990 mm   | 38.98" |
| Barrier height max.     | 1 800 mm   | 70.87" |
| Passage width standard* | 650 mm   | 25.59" |
| Passage width max.*     | 1 100 mm   | 43.31" |
|                         | <i>for height of glass wing up to 1 400 mm</i>   |        |
|                         | max 920 mm                                       | 36.22" |
|                         | <i>for height of glass wing 1 400 - 1 800 mm</i> |        |



EasyGate Elite / 990 mm



EasyGate Elite / 1 800 mm

\* For 2 wings type



### Material and Colours

|                   |   |
|-------------------|---|
| Cabinet           | brushed stainless steel                           |
| Top Lid           | black glass Top Lid                               |
| Barriers          | glass barrier panels<br>(10 mm / 0.39", tempered) |
| Side infill panel | 6 mm (0.24") tempered glass panels                |

### Operating Environment

Indoor

### Drive Mechanism

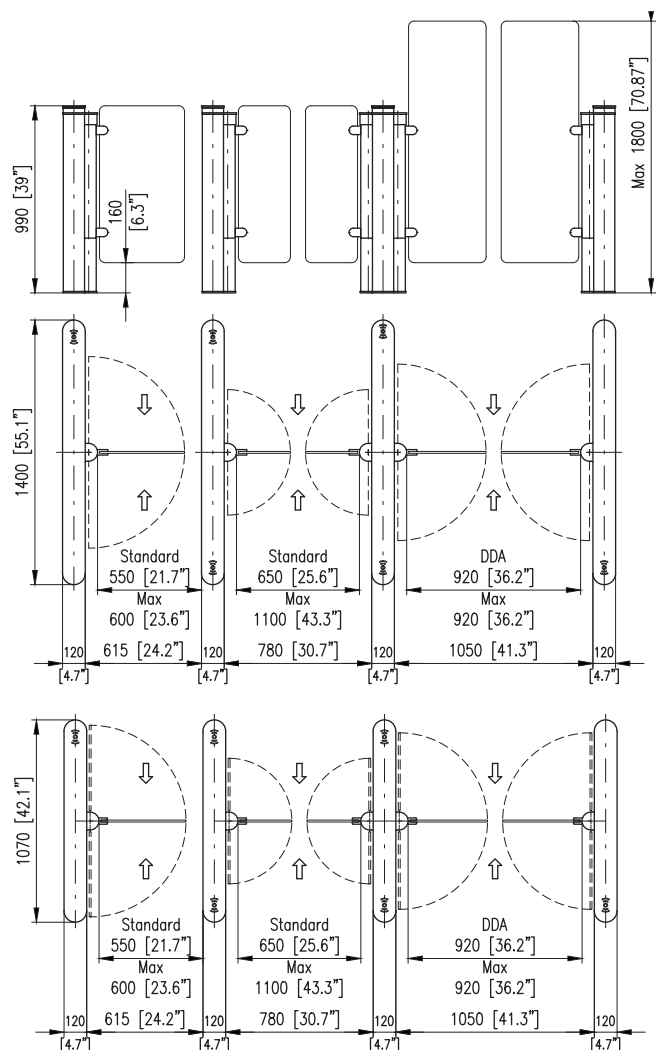
Fail-Safe

### Emergency Mode

Open automatically in the exit direction

### Optional Accessories

- Stainless steel top
- Solid side panels
- RFID reader bracket (flush mounted)
- Access Light / Edge Light
- WAV player
- Wing Light / Hinge capping
- USB convertor / Ethernet convertor
- RF remote control
- EasyTouch / TouchPanel / T-MON SW
- SuperCap (emergency power back-up)
- Alternative surface finishes / Optional top finishes
- Integration of Card collector / BarCode scanner\*
- Ramp LT



\* EasyScan only



# EasyGate LC

## Type

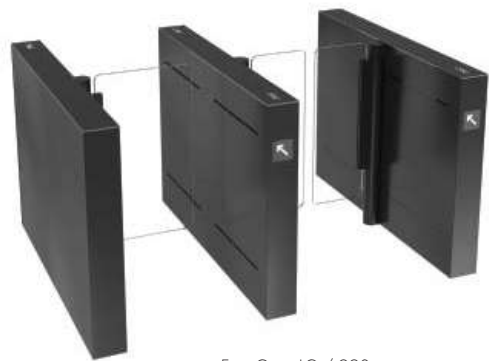
Swing technology  
 1 wing / 2 wings  
 Square front  
 Elevator assignment - terminal for automatic lift call, displays the lift number on the screen

## Safety & Security Detection

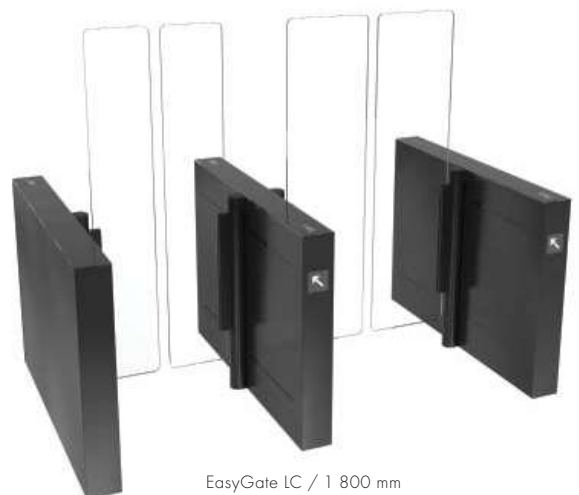
- 36 pairs of IR sensors
- Safety & Security levels
- Tailgating / Cross over detection

## Dimensions

|                         |  |        |
|-------------------------|--|--------|
| Cabinet height          | 990 mm   | 38.98" |
| Cabinet length          | 1 400 mm   | 55.12" |
| Cabinet width           | 151 mm   | 5.95"  |
| Barrier height standard | 990 mm   | 38.98" |
| Barrier height max.     | 1 800 mm   | 70.87" |
| Passage width standard* | 650 mm   | 25.59" |
| Passage width max.*     | 1 100 mm   | 43.31" |
|                         | <i>for height of glass wing up to 1 400 mm</i>   |        |
|                         | max 920 mm                                       | 36.22" |
|                         | <i>for height of glass wing 1 400 - 1 800 mm</i> |        |



EasyGate LC / 990 mm



EasyGate LC / 1 800 mm

\* For 2 wings type





**Material and Colours**

|                   |   |
|-------------------|---|
| Cabinet           | RAL colored stainless steel                       |
| Top Lid           | black glass & black corian                        |
| Barriers          | glass barrier panels<br>(10 mm / 0.39", tempered) |
| Side infill panel | RAL colored stainless steel                       |

**Operating Environment**

Indoor

**Drive Mechanism**

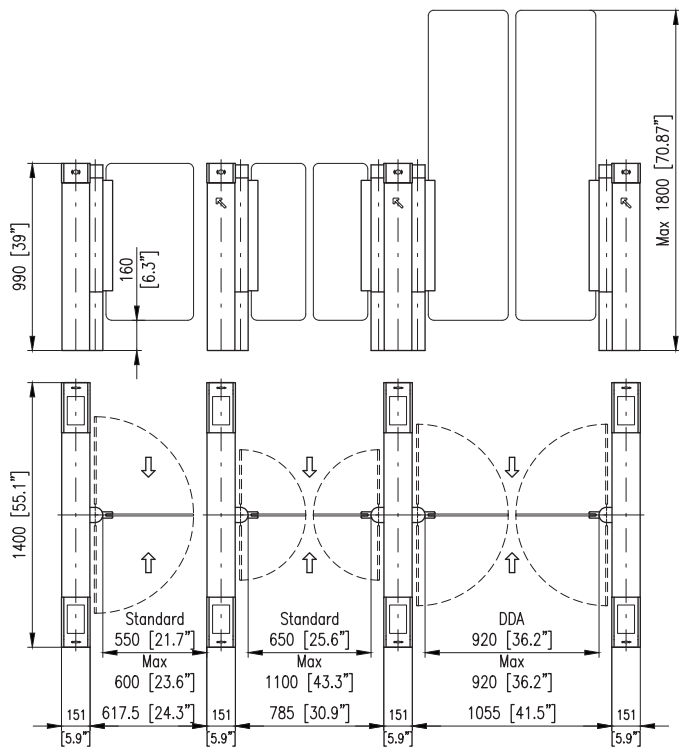
Fail-Safe

**Emergency Mode**

Open automatically in the exit direction

**Optional Accessories**

- RFID reader bracket (flush mounted)
- Access Light
- WAV player
- Wing Light / Hinge capping
- USB convertor / Ethernet convertor
- RF remote control
- EasyTouch / TouchPanel / T-MON SW
- SuperCap (emergency power back-up)
- Alternative surface finishes / Optional top finishes
- Integration of Card collector
- Ramp LT





# EasyGate IM

## Type

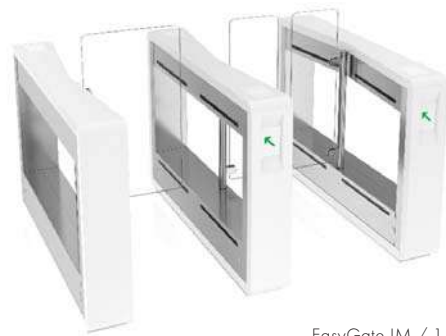
Swing technology  
1 wing / 2 wings  
Square front

## Safety & Security Detection

- 36 pairs of IR sensors
- Safety & Security levels
- Tailgating / Cross over detection

## Dimensions

|                         |          |        |
|-------------------------|----------|--------|
| Cabinet height          | 995 mm   | 39.17" |
| Cabinet length          | 1 500 mm | 59.10" |
| Cabinet width           | 210 mm   | 8.27"  |
| Barrier height standard | 1 200 mm | 47.24" |
| Barrier height max.     | 1 800 mm | 70.87" |
| Passage width standard* | 650 mm   | 25.59" |
| Passage width max.*     | 1 050 mm | 41.34" |



EasyGate IM / 1 200 mm



EasyGate IM / 1 800 mm

\* For 2 wings type



### Material and Colours

|          |   |
|----------|---|
| Cabinet  | brushed stainless steel                           |
| Top Lid  | marble, corian, stone, wood                       |
| Barriers | glass barrier panels<br>(10 mm / 0.39", tempered) |

### Operating Environment

Indoor

### Drive Mechanism

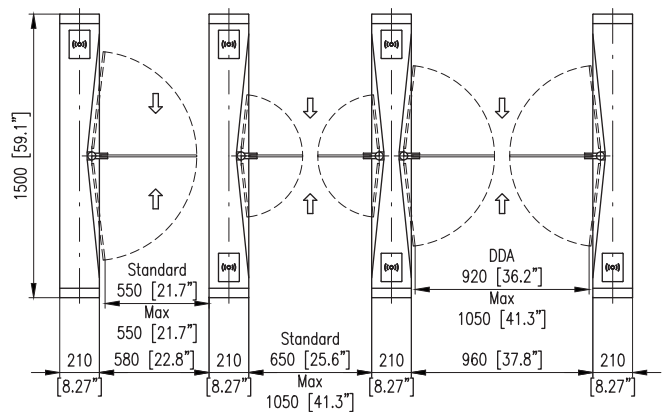
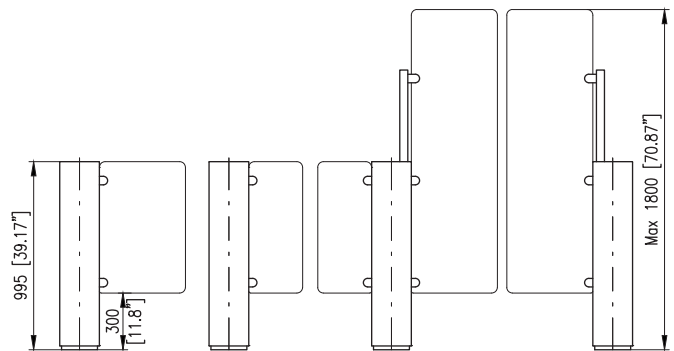
MDD drive with external tooth brake

### Emergency Mode

Open automatically in the exit direction  
Pushthrough feature\*

### Optional Accessories

- RFID reader bracket (flush mounted)
- Access light / Lane light
- WAV player
- Wing light / Hinge capping
- Pushthrough feature
- USB convertor / Ethernet convertor
- RF remote control
- EasyTouch / TouchPanel / T-MON SW
- SuperCap (emergency power back-up)
- Alternative surface finishes / Optional top finishes
- Integration of liftCall / Card collector / BarCode scanner
- Ramp LT



\* Optional accessories



# EasyGate BV

## Type

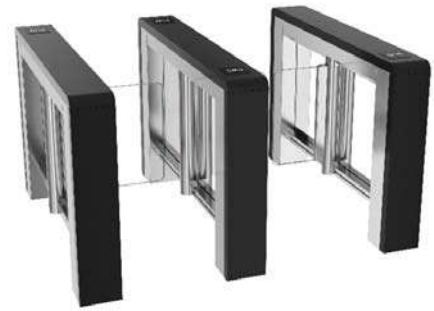
Swing technology  
 1 wing / 2 wings  
 Square front

## Safety & Security Detection

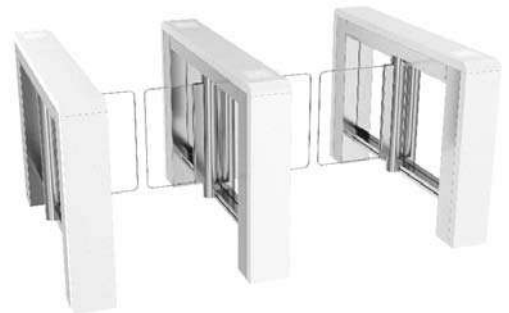
- 36 pairs of IR sensors
- Safety & Security levels
- Tailgating / Cross over detection

## Dimensions

|                         |          |        |
|-------------------------|----------|--------|
| Cabinet height          | 990 mm   | 38.98" |
| Cabinet length          | 1 500 mm | 59.06" |
| Cabinet width           | 200 mm   | 7.87"  |
| Barrier height          | 800 mm   | 31.50" |
| Passage width standard* | 650 mm   | 25.59" |
| Passage width max.*     | 1 000 mm | 39.37" |



EasyGate BV



EasyGate BV

\* For 2 wings type



**Material and Colours**

|                   |   |
|-------------------|---|
| Cabinet           | brushed stainless steel                           |
| Top Lid           | white corian                                      |
| Barriers          | glass barrier panels<br>(10 mm / 0.39", tempered) |
| Side infill panel | 6 mm (0.24")<br>laminated glass panels            |

**Operating Environment**

Indoor

**Drive Mechanism**

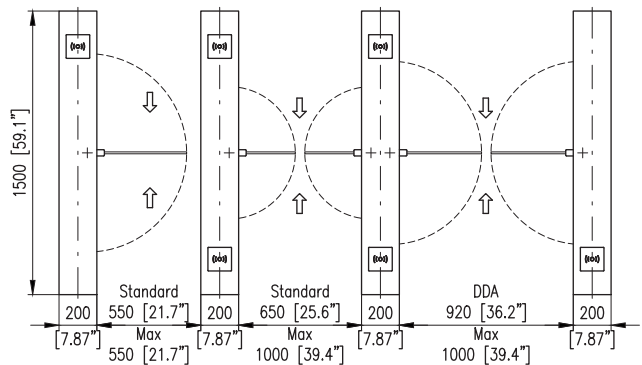
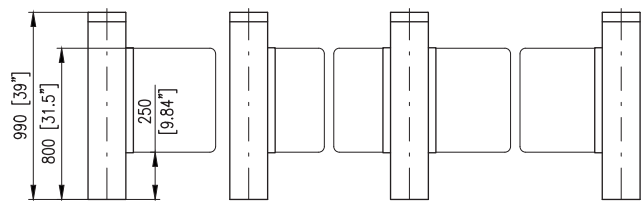
Fail-Safe

**Emergency Mode**

Open automatically in the exit direction

**Optional Accessories**

- RFID reader bracket (flush mounted)
- Access Light / Lane Light
- WAV player
- Wing light / Hinge capping
- USB convertor / Ethernet convertor
- RF remote control
- EasyTouch / TouchPanel / T-MON SW
- SuperCap (emergency power back-up)
- Alternative surface finishes / Optional top finishes
- Integration of LiftCall / Card collector / BarCode scanner
- Ramp LT





EasyGate SPT-R

## EasyGate SPT-G / SPT-R

### Type

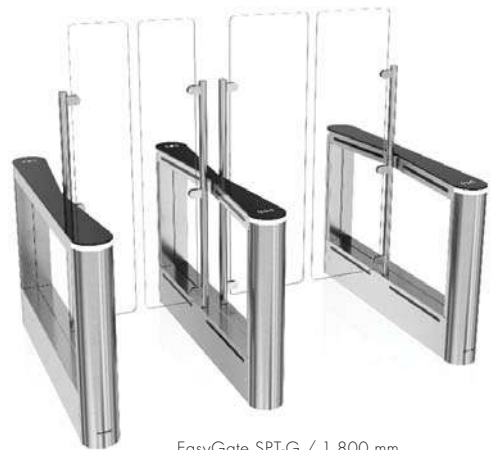
Swing technology  
 1 wing / 2 wings  
 G model - round front  
 R model - square front

### Safety & Security Detection

- 36 pairs of IR sensors
- Safety & Security levels
- Tailgating / Cross over detection

### Dimensions

|                         |          |        |
|-------------------------|----------|--------|
| Cabinet height          | 975 mm   | 38.39" |
| Cabinet length          | 1 500 mm | 59.06" |
| Cabinet width           | 180 mm   | 7.09"  |
| Barrier height standard | 1 200 mm | 47.24" |
| Barrier height max.     | 1 800 mm | 70.87" |
| Passage width standard* | 650 mm   | 25.59" |
| Passage width max.*     | 1 050 mm | 41.34" |



EasyGate SPT-G / 1 800 mm



EasyGate SPT-R / 1 200 mm

\* For 2 wings type



EbsyGate SPT-G

### Material and Colours

|                   |   |
|-------------------|---|
| Cabinet           | brushed stainless steel                           |
| Top Lid           | black glass Top Lid                               |
| Barriers          | glass barrier panels<br>(10 mm / 0.39", tempered) |
| Side infill panel | 6 mm (0.24")<br>laminated glass panels            |

### Operating Environment

Indoor

### Drive Mechanism

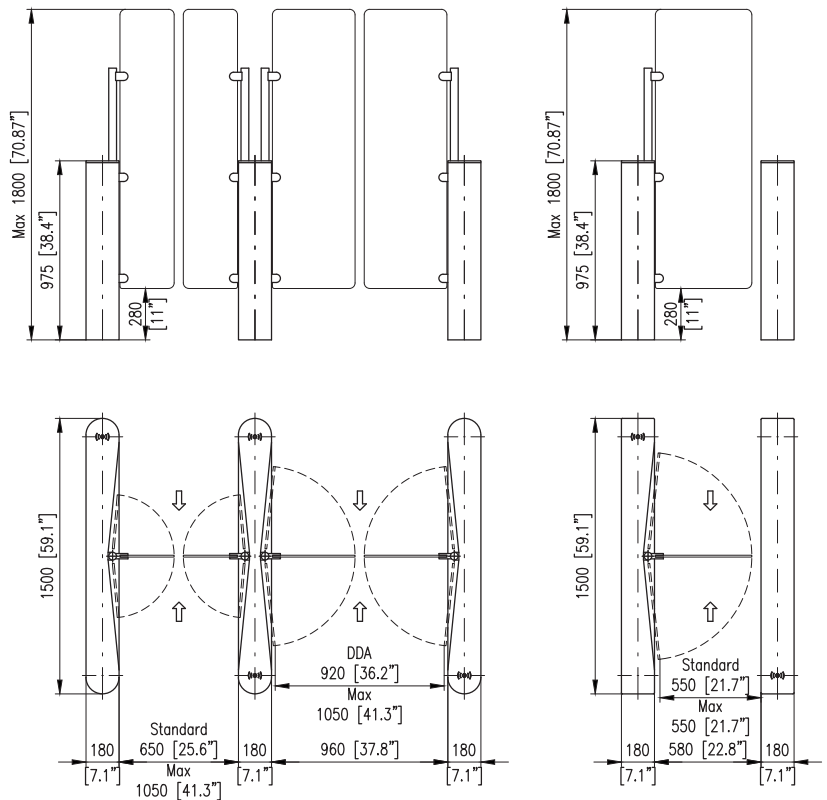
MDD drive with external tooth brake

### Emergency Mode

Open automatically in the exit direction  
Pushthrough feature\*

### Optional Accessories

- RFID reader bracket (flush mounted)
- Access Light / Lane Light / Edge Light
- WAV player
- Wing light / Hinge capping
- Pushthrough feature / Pressure sensing top
- USB convertor / Ethernet convertor
- EasyTouch / TouchPanel / T-MON SW / RF remote control
- SuperCap (emergency power back-up)
- Alternative surface finishes / Optional top finishes
- Integration of LiftCall / Card collector / BarCode scanner
- Side infill panel
- Ramp LT



\* Optional accessories



EasyGate SPD-R

## EasyGate SPD-G / SPD-R

### Type

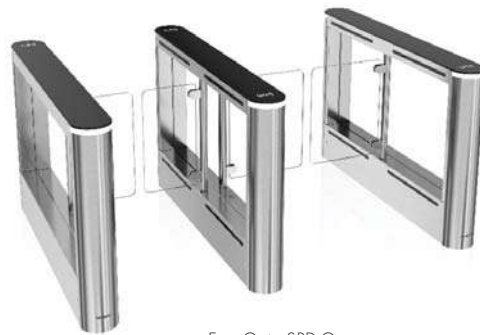
Swing technology  
 1 wing / 2 wings  
 G model - round front  
 R model - square front

### Safety & Security Detection

- 36 pairs of IR sensors
- Safety & Security levels
- Tailgating / Cross over detection

### Dimensions

|                         |          |        |
|-------------------------|----------|--------|
| Cabinet height          | 975 mm   | 38.39" |
| Cabinet length          | 1 500 mm | 59.06" |
| Cabinet width           | 180 mm   | 7.09"  |
| Barrier height          | 850 mm   | 33.46" |
| Passage width standard* | 650 mm   | 25.59" |
| Passage width max.*     | 1 150 mm | 45.28" |



EasyGate SPD-G



EasyGate SPD-R

\* For 2 wings type





EasyGate SPD.G

### Material and Colours

|                   |   |
|-------------------|---|
| Cabinet           | brushed stainless steel                           |
| Top Lid           | black glass Top Lid                               |
| Barriers          | glass barrier panels<br>(10 mm / 0.39", tempered) |
| Side infill panel | 6 mm (0.24")<br>laminated glass panels            |

### Operating Environment

Indoor

### Drive Mechanism

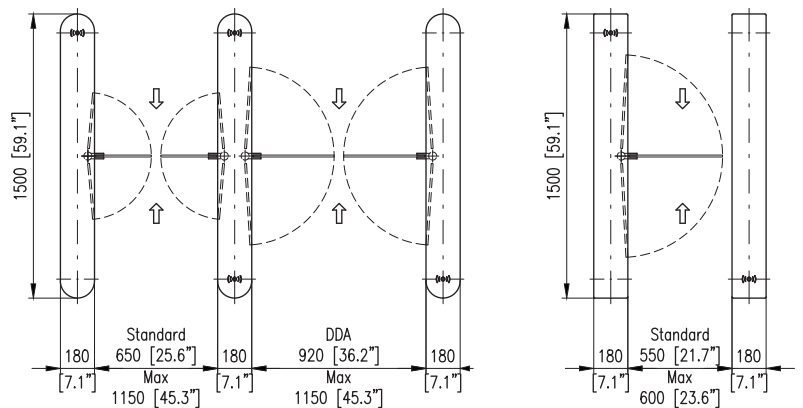
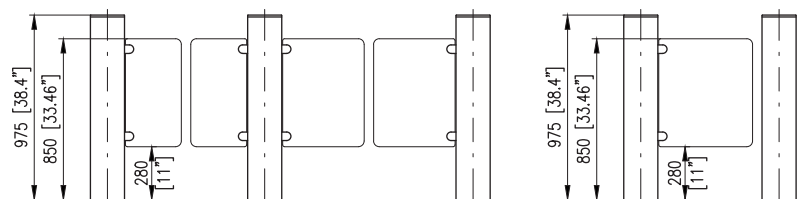
MDD drive with external tooth brake

### Emergency Mode

Open automatically in the exit direction  
Pushthrough feature\*

### Optional Accessories

- RFID reader bracket (flush mounted)
- Access light / Lane light / Edge light
- WAV player
- Wing light / Hinge capping
- Pushthrough feature / Pressure sensing top
- USB convertor / Ethernet convertor
- EasyTouch / TouchPanel / T-MON SW / RF remote control
- SuperCap (emergency power back-up)
- Alternative surface finishes / Optional top finishes
- Integration of liftCall / Card collector / BarCode scanner
- Side infill panel
- Ramp LT



\* Optional accessories



EasyGate SG

## EasyGate SG / SR 1000 & 1320

### Type

Swing technology

1 000 (length of cabinet in mm)

1 320 (length of cabinet in mm)

1 wing / 2 wings

SG model - round front

SR model - square front

### Safety & Security Detection

- 24 pairs of IR sensors - version 1 000
- 36 pairs of IR sensors - version 1 320
- Safety & Security levels
- Tailgating / Cross over detection

### Dimensions

|                         |          |        |
|-------------------------|----------|--------|
| Cabinet height          | 990 mm   | 38.98" |
| Cabinet length          | 1 000 mm | 39.37" |
|                         | 1 320 mm | 51.97" |
| Cabinet width           | 120 mm   | 4.72"  |
| Barrier height          | 835 mm   | 32.87" |
| Passage width standard* | 650 mm   | 25.59" |
| Passage width max.*     | 920 mm   | 36.22" |



EasyGate SG 1000



EasyGate SR 1000

\* For 2 wings type



EasyGate SR

### Material and Colours

|                   |   |
|-------------------|---|
| Cabinet           | brushed stainless steel                           |
| Top Lid           | black glass Top Lid                               |
| Barriers          | glass barrier panels<br>(10 mm / 0.39", tempered) |
| Side infill panel | 6 mm (0.24")<br>laminated glass panels            |

### Operating Environment

Indoor

### Drive Mechanism

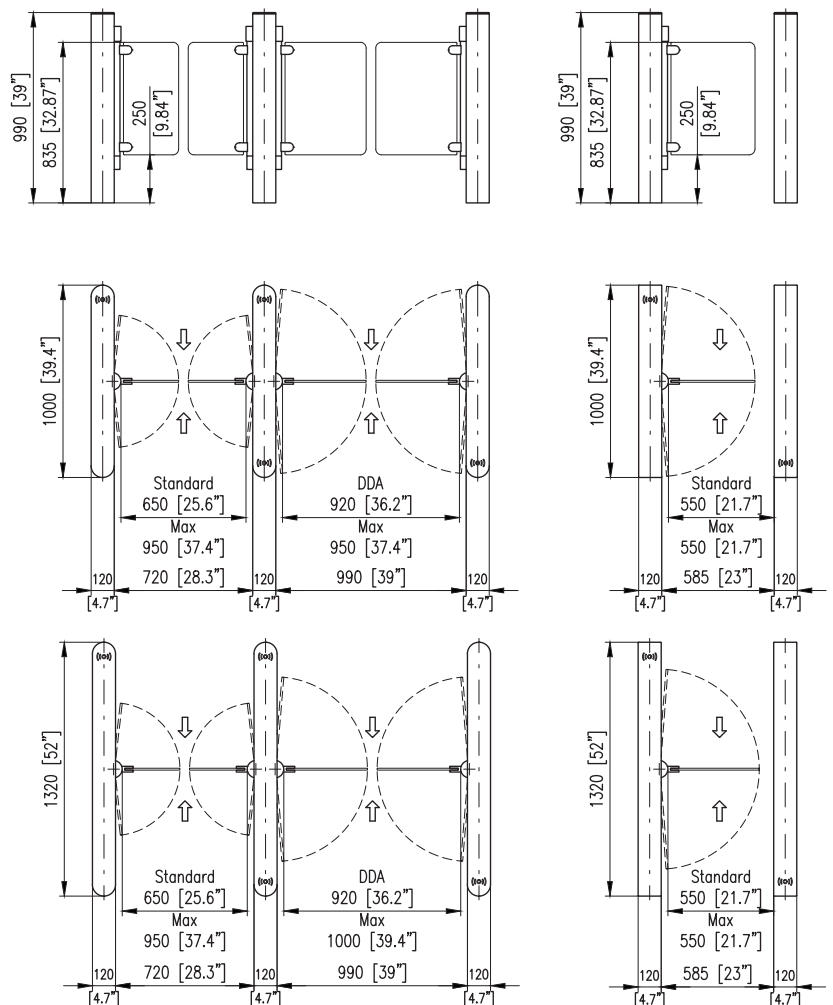
Fail-Safe

### Emergency Mode

Open automatically in the exit direction

### Optional Accessories

- RFID reader bracket (flush mounted)
- Access light / Lane Light\*
- WAV player
- Outdoor package
- Wing light / Hinge capping
- USB convertor / Ethernet convertor
- RF remote control
- EasyTouch / TouchPanel / T-MON SW
- SuperCap (emergency power back-up)
- Alternative surface finishes / Optional top finishes
- Integration of BarCode scanner\*\* / Ramp LT



\*EasyGate SR only \*\*EasyScan only



# EasyGate LG

## Type

Sliding technology  
 940 / 1 200 / 1 800 (height of glass barrier in mm)  
 2 wings  
 Round front

## Safety & Security Detection

- 42 pairs of IR sensors
- Safety & Security levels
- Tailgating / Cross over detection

## Dimensions

|                        |                  |                 |
|------------------------|------------------|-----------------|
| Cabinet height         | 990 mm           | 38.98"          |
| Cabinet length         | 1 550 mm         | 61.02"          |
| Cabinet width          | 330 mm           | 12.99"          |
| DDA cabinet width      | 510 mm           | 20.08"          |
| Barrier height         | 940 mm           | 37.01"          |
|                        | 1 200 - 1 800 mm | 47.24" - 70.87" |
| Passage width standard | 570 mm           | 22.44"          |
| Passage width max.     | 920 mm           | 36.22"          |



EasyGate LG 1200 / 1800



EasyGate LG 940



### Material and Colours

|          |  |
|----------|--|
| Cabinet  | brushed stainless steel                          |
| Top Lid  | brushed stainless steel                          |
| Barriers | glass barrier panels<br>(8 mm / 0.31", tempered) |

### Operating Environment

Indoor

### Drive Mechanism

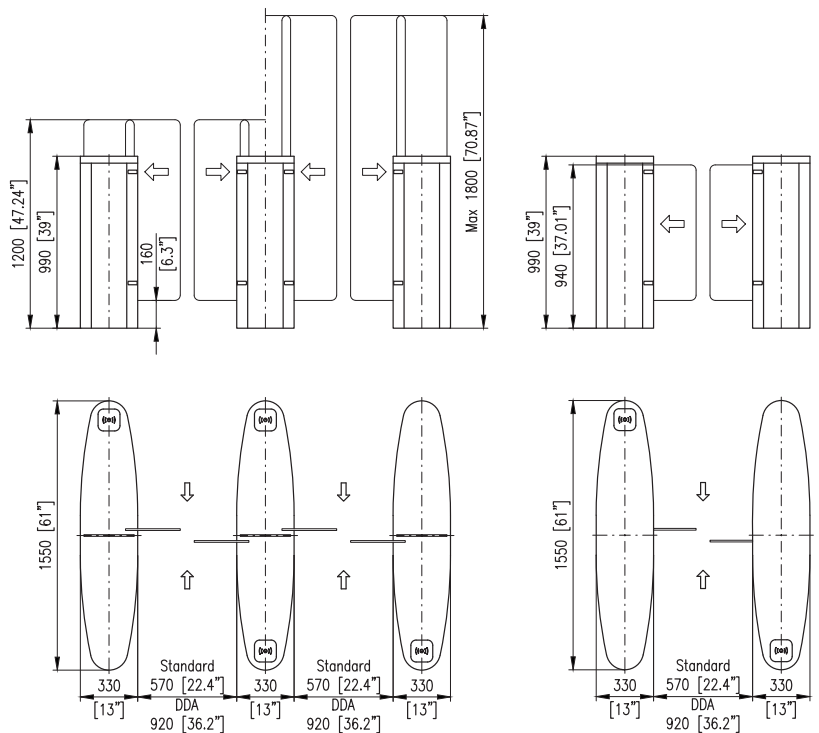
MDD drive

### Emergency Mode

Open automatically

### Optional Accessories

- RFID reader bracket (flush mounted)
- Access Light / Lane Light
- WAV player
- Wing light (only for 940 model)
- USB convertor / Ethernet convertor
- RF remote control
- EasyTouch / TouchPanel / T-MON SW
- SuperCap (emergency power back-up)
- Alternative surface finishes / Optional top finishes
- Integration of LiftCall / Card collector / BarCode scanner
- Ramp LT





# EasyGate BG

## Type

Sliding technology  
 950 (height of glass barrier in mm)  
 2 wings

## Safety & Security Detection

- 30 pairs of IR sensors
- Safety & Security levels
- Tailgating / Cross over detection

## Dimensions

|                |          |        |
|----------------|----------|--------|
| Cabinet height | 990 mm   | 38.98" |
| Cabinet length | 1 326 mm | 52.21" |
| Cabinet width  | 330 mm   | 12.99" |
| Barrier height | 950 mm   | 37.40" |
| Passage width  | 570 mm   | 22.44" |



EasyGate BG



EasyGate BG



### Material and Colours

|          |  |
|----------|--|
| Cabinet  | brushed stainless steel                          |
| Top Lid  | black glass Top Lid                              |
| Barriers | glass barrier panels<br>(8 mm / 0.31", tempered) |

### Operating Environment

Indoor

### Drive Mechanism

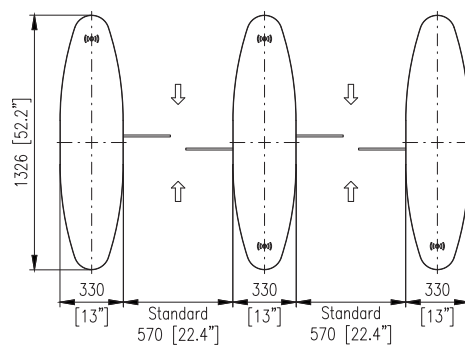
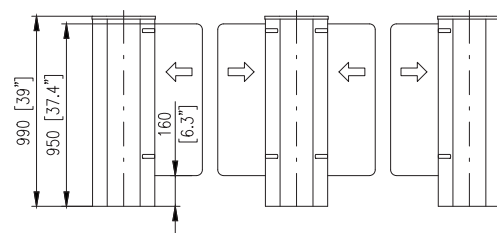
MDD drive

### Emergency Mode

Open automatically

### Optional Accessories

- RFID reader bracket (flush mounted)
- Access Light / Lane Light
- WAV player
- Wing light
- USB convertor / Ethernet convertor
- RF remote control
- EasyTouch / TouchPanel / T-MON SW
- SuperCap (emergency power back-up)
- Alternative surface finishes / Optional top finishes
- Integration of LiftCall / Card collector / BarCode scanner
- Ramp LT





EasyGate LX 1800

# EasyGate LX / LH

**Type**

Sliding technology  
 940 / 1 200 / 1 800 (height of glass barrier in mm)  
 2 wings  
 LX model - round front  
 LH model - square front

**Safety & Security Detection**

- 40 pairs of IR sensors
- Safety & Security levels
- Tailgating / Cross over detection

**Dimensions**

|                        |                  |                 |
|------------------------|------------------|-----------------|
| Cabinet height         | 990 mm           | 38.98"          |
| Cabinet length         | 1 700 mm         | 66.93"          |
| Cabinet width          | 320 mm           | 12.60"          |
| DDA cabinet width      | 500 mm           | 19.69"          |
| Barrier height         | 940 mm           | 37.01"          |
|                        | 1 200 - 1 800 mm | 47.24" - 70.87" |
| Passage width standard | 570 mm           | 22.44"          |
| Passage width max.     | 920 mm           | 36.22"          |



EasyGate LX 1200/1800



EasyGate LH 940





EasyGate LH 940

**Material and Colours**

|          |  |
|----------|--|
| Cabinet  | brushed stainless steel                          |
| Top Lid  | brushed stainless steel with black glass corners |
| Barriers | glass barrier panels (8 mm / 0.31", tempered)    |

**Operating Environment**

Indoor / Outdoor covered

**Drive Mechanism**

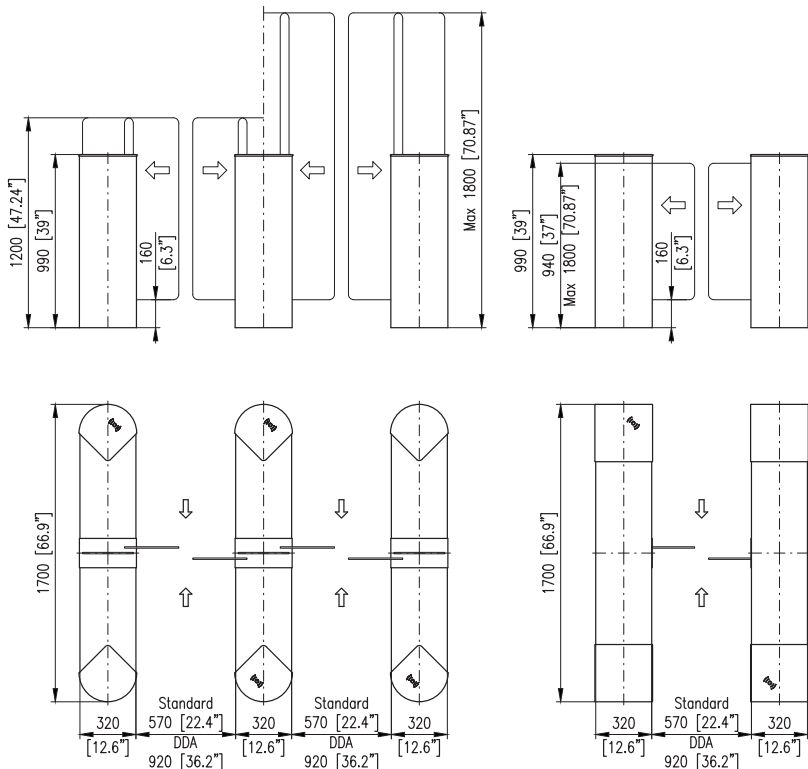
Fail-Safe

**Emergency Mode**

Open automatically

**Optional Accessories**

- RFID reader bracket (flush mounted)
- Access Light / Lane Light
- WAV player
- Outdoor package
- Wing light (only for 940 model)
- USB convertor / Ethernet convertor
- RF remote control
- EasyTouch / TouchPanel / T-MON SW
- SuperCap (emergency power back-up)
- Alternative surface finishes / Optional top finishes
- Integration of liftCall / Card collector / BarCode scanner
- Ramp LT





EasyGate FL

## EasyGate FL / FH

### Type

Sliding technology

2 wings

FL model - round front

FH model - square front

### Safety & Security Detection

- 40 pairs of IR sensors
- Safety & Security levels
- Tailgating / Cross over detection

### Dimensions

|                        |          |        |
|------------------------|----------|--------|
| Cabinet height         | 990 mm   | 38.98" |
| Cabinet length         | 1 700 mm | 66.93" |
| Cabinet width          | 320 mm   | 12.60" |
| DDA cabinet width      | 500 mm   | 19.69" |
| Barrier height         | 940 mm   | 37.01" |
| Passage width standard | 570 mm   | 22.44" |
| Passage width max.     | 920 mm   | 36.22" |



EasyGate FL



EasyGate FH



EasyGate FL

**Material and Colours**

|          |   |
|----------|---|
| Cabinet  | brushed stainless steel                           |
| Top Lid  | brushed stainless steel with black glass corners  |
| Barriers | glass barrier panels<br>(10 mm / 0.39", tempered) |

**Operating Environment**

Indoor / Outdoor covered

**Drive Mechanism**

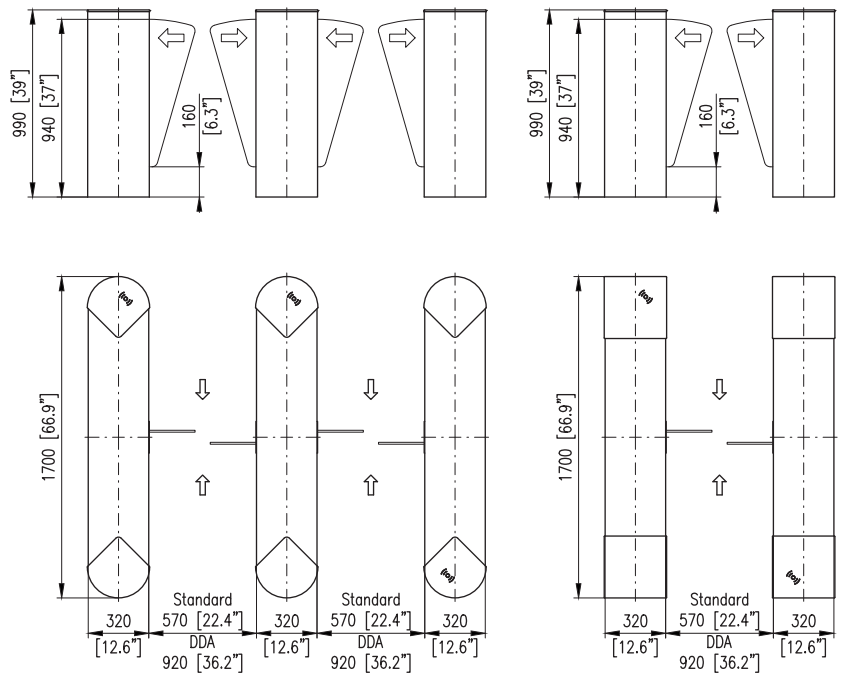
Fail-Safe

**Emergency Mode**

Open automatically

**Optional Accessories**

- RFID reader bracket (flush mounted)
- Access Light / Lane Light
- WAV player
- Outdoor package
- Wing light
- USB convertor / Ethernet convertor
- RF remote control
- EasyTouch / TouchPanel / T-MON SW
- SuperCap (emergency power back-up)
- Alternative surface finishes / Optional top finishes
- Integration of LiftCall / Card collector / BarCode scanner
- Ramp LT





# EasyGate SPT-G Outdoor / SPT-R Outdoor

## Type

Swing technology developed to withstand harsh outdoor conditions - IP 53

Optional bike access solution \*

1 wing / 2 wings

G model - round front

R model - square front

## Safety & Security Detection

- 36 pairs of IR sensors
- Safety & Security levels
- Tailgating / Cross over detection

## Dimensions

|                          |          |        |
|--------------------------|----------|--------|
| Cabinet height           | 975 mm   | 38.39" |
| Cabinet length           | 1 500 mm | 59.06" |
| Cabinet width            | 210 mm   | 8.30"  |
| Barrier height standard  | 1 200 mm | 47.24" |
| Barrier height max.      | 1 800 mm | 70.87" |
| Passage width standard** | 650 mm   | 25.59" |
| Passage width max.**     | 1 000 mm | 39.37" |



EasyGate SPT-G Outdoor



EasyGate SPT-R Outdoor

\*Different dimensions of cabinet \*\* For 2 wings type



### Material and Colours

|                   |   |
|-------------------|---|
| Cabinet           | brushed stainless steel                           |
| Top Lid           | black glass Top Lid                               |
| Barriers          | glass barrier panels<br>(10 mm / 0.39", tempered) |
| Side infill panel | 6 mm (0.24")<br>laminated glass panels            |

### Operating Environment

Outdoor - IP 53

### Drive Mechanism

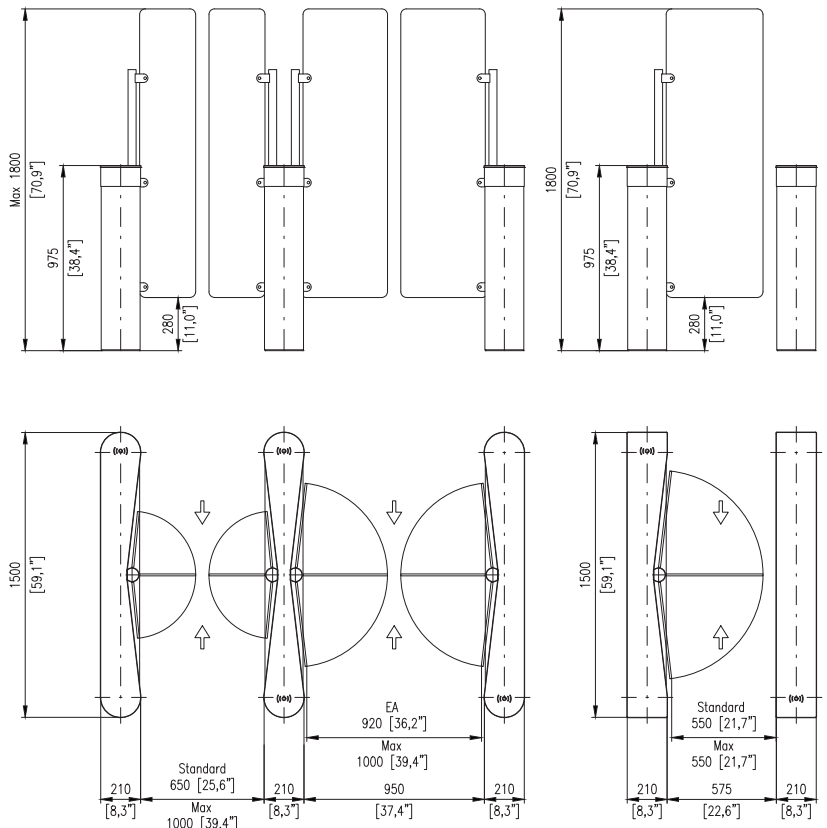
MDD drive with external tooth brake

### Emergency Mode

Open automatically in the exit direction  
Pushthrough feature\*

### Optional Accessories

- RFID reader bracket (flush mounted)
- Access Light / Lane Light
- WAV player
- Pushthrough feature
- USB convertor / Ethernet convertor
- RF remote control
- EasyTouch / TouchPanel / T-MON SW
- SuperCap (emergency power back-up)
- Alternative surface finishes / Optional top finishes
- Integration of Barcode and QR code scanner
- Side infill panel
- Ramp LT



\*Optional accessories



# EasyGate WN

## Type

Swing technology  
1 wing / 2 wings  
Square front

## Safety & Security Detection

- 8 pairs of IR sensors
- Safety & Security levels
- Tailgating / Cross over detection

## Dimensions

|                         |          |        |
|-------------------------|----------|--------|
| Cabinet height          | 1 070 mm | 42.13" |
| Cabinet length          | 2 000 mm | 78.74" |
| Cabinet width           | 210 mm   | 8.27"  |
| Barrier height          | 900 mm   | 35.43" |
| Passage width standard* | 650 mm   | 25.59" |
| Passage width max.*     | 1 200 mm | 47.24" |



EasyGate WN



EasyGate WN

\* For 2 wings type



### Material and Colours

|          |                                   |
|----------|-----------------------------------|
| Cabinet  | brushed stainless steel           |
| Top Lid  | brushed stainless steel           |
| Barriers | brushed stainless steel tube wing |

### Operating Environment

Indoor / Outdoor / Extreme weather conditions  
(up to -40°C)\*

### Drive Mechanism

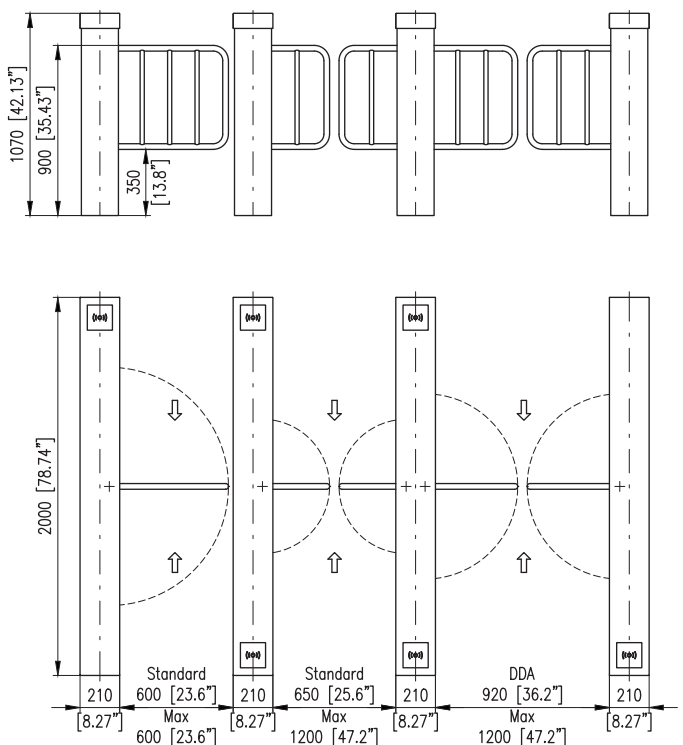
Fail-Safe

### Emergency Mode

Open automatically in the exit direction

### Optional Accessories

- RFID reader bracket (flush mounted)
- Access Light / Lane Light
- Outdoor package / Extreme outdoor package
- USB convertor / Ethernet convertor
- RF remote control
- EasyTouch / TouchPanel / T-MON SW
- Alternative surface finishes
- Induction loop system for detection of bicycles and scooters
- Ramp LT



\* Optional accessories



## EasyGate SPA (Speed Gate for Paid Access)

### Type

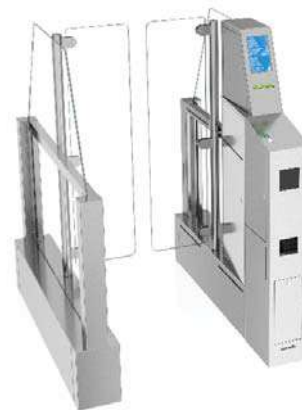
Swing technology  
2 wings  
Square front

### Safety & Security Detection

- 30 pairs of IR sensors
- Safety & Security levels
- Tailgating / Cross over detection

### Dimensions

|                        |          |        |
|------------------------|----------|--------|
| Cabinet height         | 1 400 mm | 55.12" |
| Cabinet length         | 1 200 mm | 47.24" |
| Cabinet width          | 180 mm   | 7.09"  |
| Barrier height         | 1 400 mm | 55.12" |
| Passage width standard | 550 mm   | 21.65" |
| Passage width max.     | 920 mm   | 36.22" |



EasyGate SPA





**Material and Colours**

|                   |   |
|-------------------|---|
| Cabinet           | brushed stainless steel                           |
| Top Lid           | brushed stainless steel                           |
| Barriers          | glass barrier panels<br>(10 mm / 0.39", tempered) |
| Side infill panel | 8 mm (0.31")<br>tempered laminated glass panels   |

**Operating Environment**

Indoor

**Drive Mechanism**

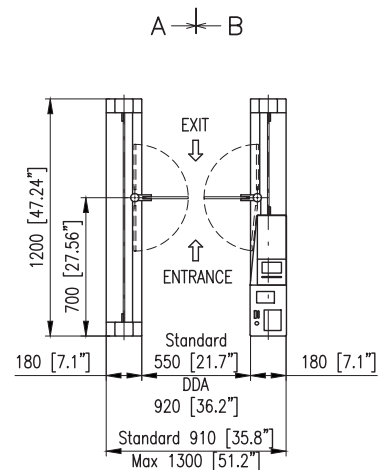
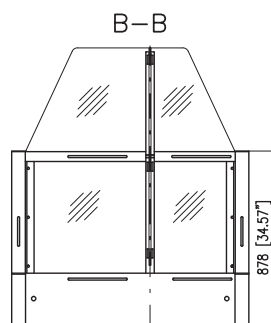
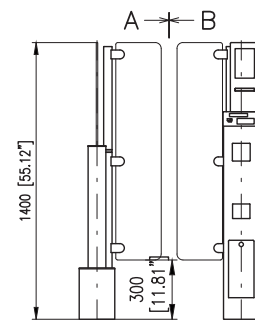
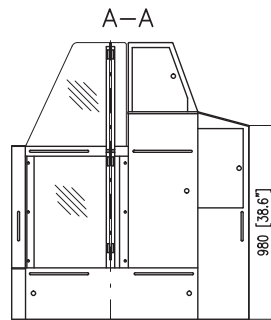
MDD drive with external tooth brake

**Emergency Mode**

Open automatically in the exit direction  
Pushthrough feature\*

**Optional Accessories**

- RFID reader bracket (flush mounted)
- Integration of Cashless payment system
- Lane Light
- WAV player
- Wing light / Hinge capping
- Pushthrough feature
- USB convertor / Ethernet convertor
- EasyTouch / TouchPanel / T-MON SW / RF remote control
- SuperCap (emergency power back-up)
- Emergency push button
- Alternative surface finishes
- Receipt & coupon thermal printer
- Ramp LT



\* Optional accessories



## EasyGate SBG (Self Boarding Gate for Airports)

### Type

Swing technology  
2 wings  
Square front

### Safety & Security Detection

- 39 pairs of IR sensors
- Safety & Security levels
- Tailgating / Cross over detection

### Dimensions

|                        |          |        |
|------------------------|----------|--------|
| Cabinet height         | 1 400 mm | 55.10" |
| Cabinet length         | 1 500 mm | 59.05" |
| Cabinet width          | 180 mm   | 7.09"  |
| Barrier height         | 1 400 mm | 55.10" |
| Passage width standard | 630 mm   | 24.80" |
| Passage width max.     | 920 mm   | 36.22" |





### Material and Colours

|                   |   |
|-------------------|---|
| Cabinet           | brushed stainless steel                           |
| Top Lid           | brushed stainless steel                           |
| Barriers          | glass barrier panels<br>(10 mm / 0.39", tempered) |
| Side infill panel | 8 mm (0.31")<br>tempered laminated glass panels   |

### Operating Environment

Indoor

### Drive Mechanism

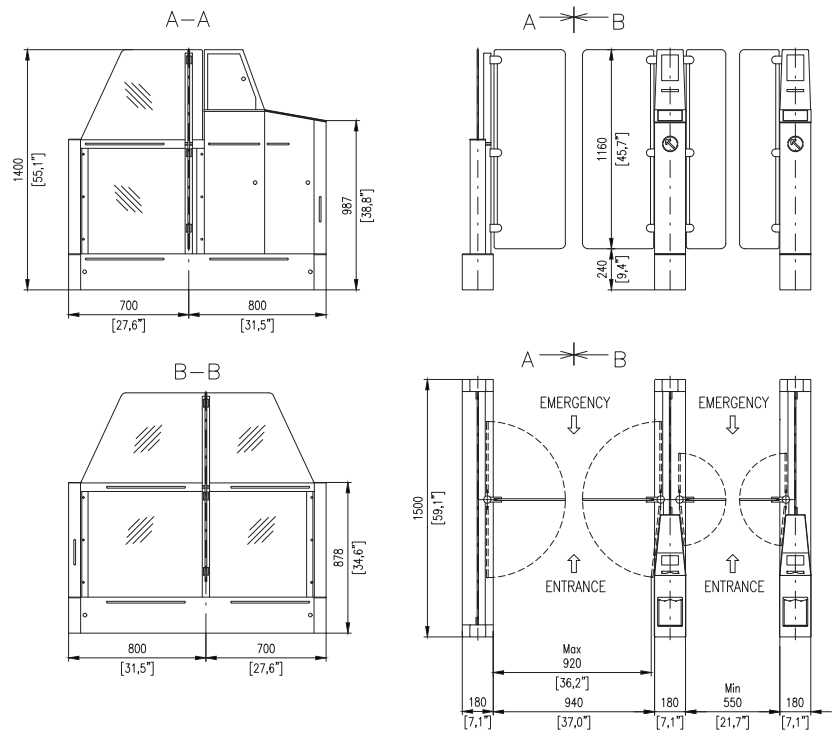
MDD drive

### Emergency Mode

Open automatically in the exit direction

### Optional Accessories

- Boarding pass reader
- Passport reader
- RFID reader
- Lane Light / Top Light
- WAV player
- Wing light
- USB convertor / Ethernet convertor
- EasyTouch / TouchPanel / T-MON SW
- SuperCap (emergency power back-up)
- Emergency push button
- Alternative surface finishes
- High-speed boarding pass thermal printer
- Ramp LT



\* Optional accessories



## Interlock Gate (High Security Double Speed Gate)

### Type

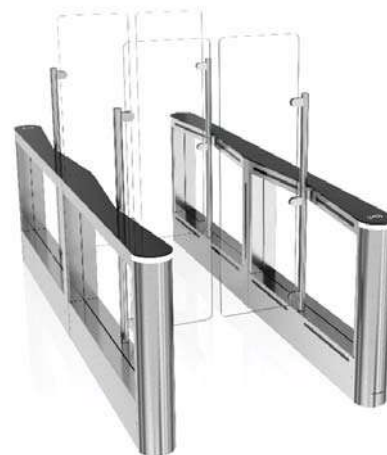
Swing technology  
 4 wings  
 G model - round front  
 R model - square front

### Safety & Security Detection

- 75 pairs of IR sensors
- Safety & Security levels
- Tailgating / Cross over detection

### Dimensions

|                         |          |         |
|-------------------------|----------|---------|
| Cabinet height          | 975 mm   | 38.39"  |
| Cabinet length          | 2 900 mm | 114.77" |
| Cabinet width           | 180 mm   | 7.09"   |
| Barrier height standard | 1 200 mm | 47.24"  |
| Barrier height max.     | 1 800 mm | 70.87"  |
| Passage width standard  | 650 mm   | 25.59"  |
| Passage width max.      | 1 050 mm | 41.34"  |



Interlock gate



### Material and Colours

|                   |   |
|-------------------|---|
| Cabinet           | brushed stainless steel                           |
| Top Lid           | black glass Top Lid                               |
| Barriers          | glass barrier panels<br>(10 mm / 0.39", tempered) |
| Side infill panel | 6 mm (0.24")<br>tempered glass panels             |

### Operating Environment

Indoor

### Drive Mechanism

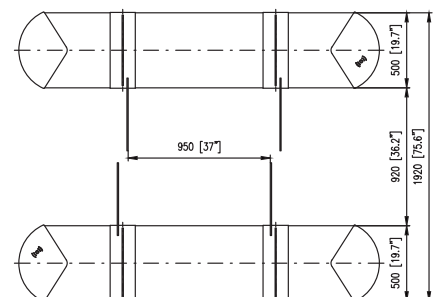
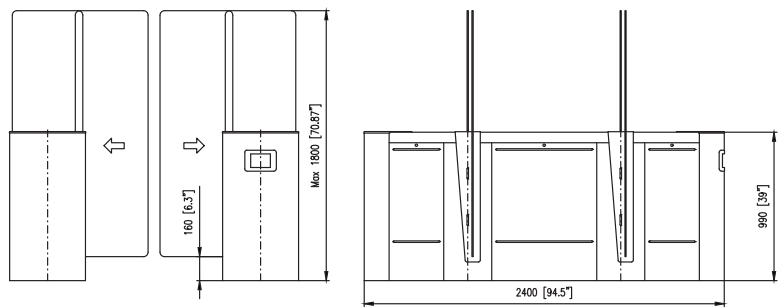
MDD drive with external tooth brake

### Emergency Mode

Open automatically in the exit direction  
Pushthrough feature\*

### Optional Accessories

- RFID reader bracket (flush mounted)
- Access Light / Lane Light / Edge Light
- WAV player
- Wing light / Hinge capping
- USB convertor / Ethernet convertor
- EasyTouch / TouchPanel / T-MON SW
- SuperCap (emergency power back-up)
- Alternative surface finishes / Optional top finishes
- Integration of liftCall / Card collector / BarCode scanner
- Side infill panel
- Ramp LT



\* Optional accessories

# EasyGate - Swing Technology Overview



| Type   | Superb               | Elite                | EliteS               | LC                   |
|--|----------------------|----------------------|----------------------|----------------------|
| Shape of cabinet - rounded / square  | - / •                | • / -                | • / -                | - / •                |
| Available models - 1 wing / 2 wings  | • / •                | • / •                | • / •                | • / •                |
| <b>Dimensions</b>  |                      |                      |                      |                      |
| Cabinet Height in mm (inches)  | 990 / 38.98"         | 990 / 38.98"         | 990 / 38.98"         | 990 / 38.98"         |
| Cabinet Length in mm (inches)  | 1 580 / 62.20"       | 1 400 / 55.12"       | 1 070 / 42.1"        | 1 400 / 55.12"       |
| Cabinet Width in mm (inches)   | 99 / 3.90"           | 120 / 4.72"          | 120 / 4.72"          | 151 / 5.95"          |
| Glass wing barrier height in mm (inches)   | up to 1 800 / 70.87" | up to 1 800 / 70.87" | up to 1 800 / 70.87" | up to 1 800 / 70.87" |
| Glass wing barrier thickness in mm (inches)  | 10 / 0.39"           | 10 / 0.39"           | 10 / 0.39"           | 10 / 0.39"           |
| DDA (ADA) Compliant  | •                    | •                    | •                    | •                    |
| <b>Standard Material</b>   |                      |                      |                      |                      |
| Stainless steel cabinet (AISI 304) / Special material  | • / -                | • / -                | • / -                | • / -                |
| Stainless steel top lid (AISI 304) / Glass top Lid   | - / •                | - / •                | - / •                | - / •                |
| <b>Safety Features</b>   |                      |                      |                      |                      |
| Emergency (Fire Alarm) input   | •                    | •                    | •                    | •                    |
| Tailgating / Cross over  | • / •                | • / •                | • / •                | • / •                |
| Number of sensor pairs (Transmitter / Receiver)  | 24                   | 30                   | 18                   | 36                   |
| Pushthrough* / Pressure Sensing Top*   | - / -                | - / -                | - / -                | - / -                |
| Induction loop system for detection of bicycles and scooters                                   | -                    | -                    | -                    | -                    |
| Fail-Safe motor [1] / MDD motor  | • / -                | • / -                | • / -                | • / -                |
| Safety & Security mode (5 settings)  | •                    | •                    | •                    | •                    |
| Barrier opening time (s)   | 0.7                  | 0.7                  | 0.7                  | 0.7                  |
| <b>Communication Interface</b>   |                      |                      |                      |                      |
| Relay Inputs / Outputs   | • / •                | • / •                | • / •                | • / •                |
| RS485 / USB* / Ethernet*   | • / • / •            | • / • / •            | • / • / •            | • / • / •            |
| <b>Operating Environment</b>   |                      |                      |                      |                      |
| Indoor / Outdoor covered / Outdoor uncovered   | • / - / -            | • / - / -            | • / - / -            | • / - / -            |
| Extreme weather condition  | -                    | -                    | -                    | -                    |
| <b>Optional Features</b>   |                      |                      |                      |                      |
| Integrated RFID reader bracket - flush mounted   | •                    | •                    | •                    | •                    |
| Access Light / Lane Light / Edge Light   | • / - / •            | • / - / •            | • / - / •            | • / - / -            |
| Passage Light / Wing Light / WAV Player  | • / - / •            | - / • / •            | - / • / •            | - / • / •            |
| Identification or Ticket Terminals   | -                    | •                    | •                    | •                    |
| Implementation of: Lift controller / Visitor Card collector / BarCode scanner                  | - / • / •            | - / • / -            | - / • / -            | • / • / •            |
| <b>Optional Remote Control Systems</b>   |                      |                      |                      |                      |
| Remote control (EasyTouch, TouchPanel)   | •                    | •                    | •                    | •                    |
| TMON software application (remote control from any PC) / Passage Scheduler (automatic planner) | • / •                | • / •                | • / •                | • / •                |
| <b>Optional Power Supply Input</b>   |                      |                      |                      |                      |
| 13.8V DC / 24V AC / 230V AC  | • / • / •            | • / • / •            | • / • / •            | • / • / •            |
| SuperCap   | •                    | •                    | •                    | •                    |
| <b>Optional Finishes</b>   |                      |                      |                      |                      |
| Custom surface finish / Side infill panel  | - / -                | • / •                | • / •                | - / -                |
| Custom Top Lid material / Custom cladding material   | - / -                | • / -                | • / -                | - / -                |
| <b>Optional Mounting Accessories</b>   |                      |                      |                      |                      |
| Ramp LT / Mounting console   | • / •                | • / •                | • / •                | • / •                |

[1] Free-to-move without power  
• = Available

[2] Stainless steel tube wing  
\* = Not available

[3] Only with stainless steel Top Lid  
\* Optional accessories

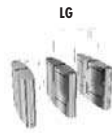
[4] Only for 940 mm high glass wing  
[6] Different dimensions of cabinet

[5] Only for square cabinet



|                      |                |                      |                |                |                |
|----------------------|----------------|----------------------|----------------|----------------|----------------|
| - / •                | - / •          | • / •                | • / •          | • / •          | • / •          |
| • / •                | • / •          | • / •                | • / •          | • / •          | • / •          |
| 995 / 39.17"         | 990 / 38.98"   | 975 / 38.39"         | 975 / 38.39"   | 990 / 38.98"   | 990 / 38.98"   |
| 1 500 / 59.10"       | 1 500 / 59.10" | 1 500 / 59.06"       | 1 500 / 59.06" | 1 000 / 39.37" | 1 320 / 51.97" |
| 210 / 8.27"          | 200 / 7.87"    | 180 / 7.09"          | 180 / 7.09"    | 120 / 4.72"    | 120 / 4.72"    |
| up to 1 800 / 70.87" | 800 / 31.50"   | up to 1 800 / 70.87" | 850 / 33.46"   | 835 / 32.87"   | 835 / 32.87"   |
| 10 / 0.39"           | 10 / 0.39"     | 10 / 0.39"           | 10 / 0.39"     | 10 / 0.39"     | 10 / 0.39"     |
| •                    | •              | •                    | •              | •              | •              |
| - / •                | - / •          | • / -                | • / -          | • / -          | • / -          |
| - / -                | - / -          | - / •                | - / •          | - / •          | - / •          |
| •                    | •              | •                    | •              | •              | •              |
| • / •                | • / •          | • / •                | • / •          | • / •          | • / •          |
| 36                   | 36             | 36                   | 36             | 24             | 36             |
| • / -                | - / -          | • / • [3]            | • / • [3]      | - / -          | - / -          |
| -                    | -              | -                    | -              | -              | -              |
| - / •                | • / -          | - / •                | - / •          | • / -          | • / -          |
| •                    | •              | •                    | •              | •              | •              |
| 0.5                  | 0.7            | 0.5                  | 0.5            | 0.7            | 0.7            |
| • / •                | • / •          | • / •                | • / •          | • / •          | • / •          |
| • / • / •            | • / • / •      | • / • / •            | • / • / •      | • / • / •      | • / • / •      |
| • / - / -            | • / - / -      | • / - / -            | • / - / -      | • / - / -      | • / - / -      |
| -                    | -              | -                    | -              | -              | -              |
| •                    | •              | •                    | •              | •              | •              |
| • / • / -            | • / • / -      | • / • / •            | • / • / •      | • / • / -      | • / • / -      |
| - / • / •            | - / • / •      | - / • / •            | - / • / •      | - / • / •      | - / • / •      |
| •                    | •              | •                    | •              | •              | •              |
| • / • / •            | • / • / •      | • / • / •            | • / • / •      | - / - / •      | - / - / •      |
| •                    | •              | •                    | •              | •              | •              |
| • / •                | • / •          | • / •                | • / •          | • / •          | • / •          |
| - / - / •            | • / • / •      | - / - / •            | - / - / •      | • / • / -      | • / • / -      |
| •                    | •              | •                    | •              | •              | •              |
| • / -                | • / -          | • / •                | • / •          | • / -          | • / -          |
| • / •                | • / •          | • / • [5]            | • / • [5]      | • / • [5]      | • / • [5]      |
| • / •                | • / •          | • / •                | • / •          | • / •          | • / •          |

# EasyGate - Sliding Technology & Special Applications Overview



| Type   | LG                   | BG             | LX/LH                | FL/FH          |
|--|----------------------|----------------|----------------------|----------------|
| Shape of cabinet - rounded / square  | • / -                | • / -          | • / •                | • / •          |
| Available models - 1 wing / 2 wings  | - / •                | - / •          | - / •                | - / •          |
| <b>Dimensions</b>  |                      |                |                      |                |
| Cabinet Height in mm (inches)  | 990 / 38.98"         | 990 / 38.98"   | 990 / 38.98"         | 990 / 38.98"   |
| Cabinet Length in mm (inches)  | 1 550 / 61.02"       | 1 326 / 52.21" | 1 700 / 66.93"       | 1 700 / 66.93" |
| Cabinet Width in mm (inches)   | 330 / 12.99"         | 330 / 12.99"   | 320 / 12.60"         | 320 / 12.60"   |
| Glass wing barrier height in mm (inches)   | up to 1 800 / 70.87" | 950 / 37.40"   | up to 1 800 / 70.87" | 940 / 37.01"   |
| Glass wing barrier thickness in mm (inches)  | 8 / 0.31"            | 8 / 0.31"      | 8 / 0.31"            | 10 / 0.39"     |
| DDA (ADA) Compliant  | •                    | -              | •                    | •              |
| <b>Standard Material</b>   |                      |                |                      |                |
| Stainless steel cabinet (AISI 304) / Special material  | • / -                | • / -          | • / -                | • / -          |
| Stainless steel top lid (AISI 304) / Glass top Lid   | • / -                | - / •          | • / -                | • / -          |
| <b>Safety Features</b>   |                      |                |                      |                |
| Emergency (Fire Alarm) input   | •                    | •              | •                    | •              |
| Tailgating / Cross over  | • / •                | • / •          | • / •                | • / •          |
| Number of sensor pairs (Transmitter / Receiver)  | 42                   | 30             | 40                   | 40             |
| Pushthrough* / Pressure Sensing Top*   | - / •                | - / -          | - / -                | - / -          |
| Induction loop system for detection of bicycles and scooters                                   | -                    | -              | -                    | -              |
| Fail-Safe motor [1] / MDD motor  | - / •                | - / •          | • / -                | • / -          |
| Safety & Security mode (5 settings)  | •                    | •              | •                    | •              |
| Barrier opening time (s)   | 0.4                  | 0.4            | 0.5                  | 0.5            |
| <b>Communication Interface</b>   |                      |                |                      |                |
| Relay Inputs / Outputs   | • / •                | • / •          | • / •                | • / •          |
| RS485 / USB* / Ethernet*   | • / • / •            | • / • / •      | • / • / •            | • / • / •      |
| <b>Operating Environment</b>   |                      |                |                      |                |
| Indoor / Outdoor covered / Outdoor uncovered   | • / - / -            | • / - / -      | • / - / -            | • / - / -      |
| Extreme weather condition  | -                    | -              | -                    | -              |
| <b>Optional Features</b>   |                      |                |                      |                |
| Integrated RFID reader bracket - flush mounted   | •                    | •              | •                    | •              |
| Access Light / Lane Light / Edge Light   | • / • / -            | • / • / -      | • / • / -            | • / • / -      |
| Wing Light / WAV Player  | • [4] / •            | • / •          | • [4] / •            | • / •          |
| Identification or Ticket Terminals   | •                    | •              | •                    | •              |
| Implementation of: Lift controller / Visitor Card collector / BarCode scanner                  | • / • / •            | • / • / •      | • / • / •            | • / • / •      |
| <b>Optional Remote Control Systems</b>   |                      |                |                      |                |
| Remote control (EasyTouch, TouchPanel)   | •                    | •              | •                    | •              |
| TMON software application (remote control from any PC) / Passage Scheduler (automatic planner) | • / •                | • / •          | • / •                | • / •          |
| <b>Optional Power Supply Input</b>   |                      |                |                      |                |
| 13.8V DC / 24V AC / 230V AC  | - / - / •            | - / - / •      | • / • / •            | • / • / •      |
| SuperCap   | •                    | •              | •                    | •              |
| <b>Optional Finishes</b>   |                      |                |                      |                |
| Custom surface finish / Side infill panel  | • / -                | • / -          | • / -                | • / -          |
| Custom Top Lid material / Custom cladding material   | • / -                | • / -          | • / • [5]            | • / • [5]      |
| <b>Optional Mounting Accessories</b>   |                      |                |                      |                |
| Ramp LT / Mounting console   | • / -                | • / -          | • / -                | • / -          |

[1] Free-to-move without power  
• = Available

[2] Stainless steel tube wing  
\* = Not available

[3] Only with stainless steel Top Lid  
\* Optional accessories

[4] Only for 940 mm high glass wing  
[6] Different dimensions of cabinet

[5] Only for square cabinet



SPT Outdoor



WN



SPA



SBG



Interlock Gate



|                      |                |                |                |                      |
|----------------------|----------------|----------------|----------------|----------------------|
| • / •                | - / •          | - / •          | - / •          | • / •                |
| • / •                | • / •          | - / •          | - / •          | - / •                |
| 975 / 38.39"         | 1 070 / 42.13" | 1 400 / 55.12" | 1 400 / 55.12" | 975 / 38.39"         |
| 1 500 / 59.06"       | 2 000 / 78.74" | 1 200 / 47.24" | 1 500 / 59.05" | 2 900 / 114.17"      |
| 210 / 8.30"          | 210 / 8.27"    | 180 / 7.09"    | 180 / 7.09"    | 180 / 7.09"          |
| up to 1 800 / 70.87" | 900 / 35.43"   | 1 400 / 55.12" | 1 400 / 55.12" | up to 1 800 / 70.87" |
| 10 / 0.39"           | [2]            | 10 / 0.39"     | 10 / 0.39"     | 10 / 0.39"           |
| •                    | •              | •              | •              | •                    |
| • / -                | • / -          | • / -          | • / -          | • / -                |
| - / •                | • / -          | • / -          | • / -          | - / •                |
| •                    | •              | •              | •              | •                    |
| • / •                | • / •          | • / •          | • / •          | • / •                |
| 36                   | 8              | 30             | 39             | 75                   |
| • / -                | - / -          | • / -          | • / -          | • / • [3]            |
| • [6]                | •              | -              | -              | -                    |
| - / •                | • / -          | - / •          | - / •          | - / •                |
| •                    | •              | •              | •              | •                    |
| 0.5                  | 0.7            | 0.5            | 0.5            | 0.5                  |
| • / •                | • / •          | • / •          | • / •          | • / •                |
| • / • / •            | • / • / •      | • / • / •      | • / • / •      | • / • / •            |
| • / • / •            | • / • / •      | • / - / -      | • / - / -      | • / - / -            |
| -                    | •              | -              | -              | -                    |
| •                    | •              | •              | •              | •                    |
| • / • / -            | • / • / -      | - / • / -      | - / • / -      | • / • / •            |
| - / •                | - / -          | • / •          | • / •          | • / •                |
| -                    | •              | -              | -              | •                    |
| - / - / -            | - / - / •      | - / - / -      | - / - / -      | • / • / •            |
| •                    | •              | •              | •              | •                    |
| • / •                | • / •          | • / •          | • / •          | • / •                |
| - / - / •            | • / • / -      | - / - / •      | - / - / •      | - / - / •            |
| -                    | •              | •              | •              | •                    |
| • / -                | • / -          | • / -          | • / -          | • / •                |
| • / -                | - / -          | - / -          | - / -          | • / • [5]            |
| • / •                | • / •          | • / •          | • / •          | • / •                |

# Options & Accessories



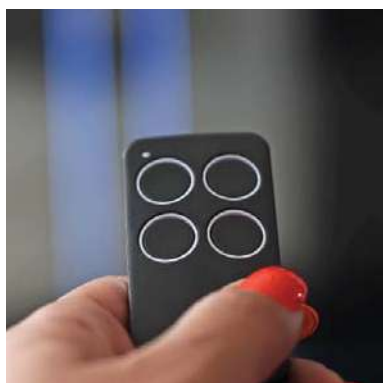
**EASYTOUCH** – turnstile remote control console with an intuitive graphical user interface



**TOUCHPANEL** – Touch-button panel for remote control of turnstiles and gates



**TMON SOFTWARE** – software application for easy remote control of the turnstiles and gates



**RF REMOTE CONTROL** – for convenient remote opening of speed gates



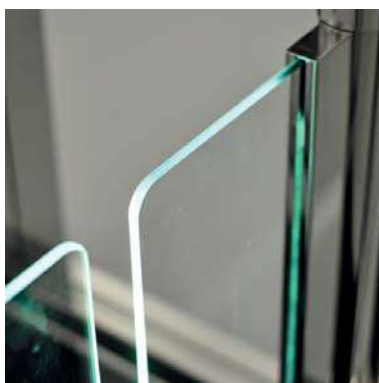
**ACCESS LIGHT** – access control light with integrated RFID bracket



**LANE LIGHT** – front mounted lane accessibility light panel



**EDGE LIGHT** – information multicolour LED light belt



**WING LIGHT** – light illumination of glass wing barrier



**WAV PLAYER** – sound signaling device for audio confirmation of turnstile operation mode



**PRESSURE SENSING TOP** – pressure sensing device integrated in top lid to detect climb over



**PUSHTHROUGH** – allows the turnstiles to be set with the hard lock only in the entry direction



**SENSOR WALL** – optical sensors for EasyGate turnstile with wall mount



**CARD/BADGE COLLECTOR** – visitor card collector available in a stand-alone pole or Built-in versions.



**EASYSKAN** – RFID reader, Barcode and QR code scanner in one device, flush mouted in EasyGate cabinet.



**TICKETING TERMINAL** – external implementation of identification terminals



**RAMP LT** – for installation on floor where drilling/cutting is not allowed



**MOUNTING CONSOLE** – mounting console for raised/suspended floor



**GLASS INFILL BARRIER** – convenient way to aesthetically enclose the secure areas from public area



**ALTERNATIVE SURFACE FINISH** – polished stainless steel/brushed stainless steel/etc.



**SIDE INFILL PANEL** – stainless steel side infill panel of EasyGate cabinet



**ALTERNATIVE TOP LID** – wood, stone, corian, glass etc.



**LIFT CONTROLLER** – integration of lift controller



**PASSAGE LIGHT** – illumination of Top Lid edges, different operation modes



**SUPERCAP** – maintenance-free power package for Emergency opening of turnstile/gate

## Project Design

Every project varies in its specifics, it can therefore be hard to choose from a standard turnstile range. We want you to realise your project visions, thus we offer you a turnstile range that can be customised to your desires.

We always seek for the perfect solutions for your projects; whether you need a higher level of security or a change of colour, surface finish or cabinet styling; whether you desire a bespoke material or to integrate other devices into the turnstile; our team will provide expert guidance to help you customise your turnstile solutions, to unlock your imagination to create the turnstile that best fits your specifications.

As part of the service we are able to provide 3D images to help you visualise how your new turnstile will look in site.



EasyGate SPT-R with black painted pedestal and black corian cladding



EasyGate LH 940 with white painted cabinet



EasyGate LH 940 with natural wood cladding



EasyGate SR 1000 with natural stone cladding



EasyGate SR 1000 with interconnection to REA::Ticket terminal



EasyGate BV with integration of Biometric/Time attendance terminal



EasyGate DG with integration of Visitor card collector



Integration of illuminated Emergency button

## EasyGate Integration

EasyGate Integration is a unique concept of integrating the EasyGate turnstile with other devices such as REA::Ticket terminal, EasyScan, RFID reader, Card/Badge collector, all developed by COMINFO and they are compatible with any 3rd party access control systems even with biometrics devices like facial recognition camera, fingerprint scanner, palm recognition, lift controller etc. All the integrations ensure direct communication between the speedgate and access control system, while maintaining the standard or customized cabinet design without external brackets, cables or other distracting elements.



EasyGate with integrated REA::Ticket terminal



All in one: Integration of RFID reader, barcode scanner, facial recognition camera and lift controller in EasyGate SPD cabinet while maintaining the standard dimensions.



ed. XI-2019 Specifications are subject to change without prior notice.



**COMINFO, a.s.**

Nabrezi 695, 760 01 Zlin - Prstne, Czech Republic  
 T +420 603 151 333  
 cominfo@cominfo.cz

[www.cominfo.eu](http://www.cominfo.eu)

