

Puma

Roots Vacuum Pumps WP 0250/0500 D2/D4



Higher pumping speed and improved ultimate pressure: Puma WP Roots vacuum pumps increase the performance of your vacuum system, making it more efficient and economical. Available in nine different sizes, Puma WP Roots vacuum pumps can be designed to perfectly suit all rough and medium vacuum applications in which the performance of the forepump must be drastically increased or optimally adapted to the process.

The Puma WP 0250 D and WP 0500 D are the two smallest Roots vacuum pumps in this series. The WP 0250 D4 and WP 0500 D4 versions are characterised by a particularly high differential pressure.

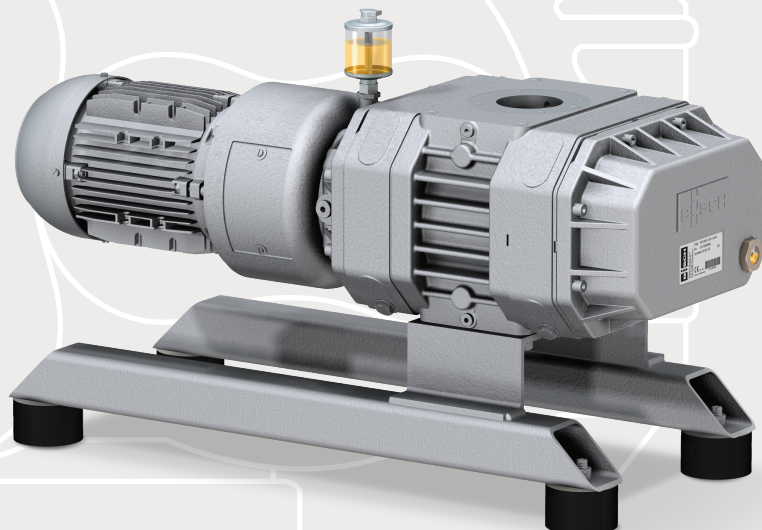
Puma WP Roots vacuum pumps are perfect booster pumps for all types of forepumps. When used in combination of forepump and booster pump together, they are capable of increasing the pumping speed and ultimate pressure by a factor of 10. As a result, these pump combinations can generate a suction performance which would otherwise only be possible with a large number of forepumps.

The Puma WP can be controlled using a pressure switch that activates the Roots vacuum pump of the forepump if it has achieved the optimum pressure. Alternatively, the Puma WP is also available in versions that are controlled by frequency converters.

Puma WP Roots vacuum pumps can be flanged directly onto the forepump or in any other position on the system.



Puma – the economical performance optimiser.



Puma

Roots Vacuum Pumps WP 0250/0500 D2/D4



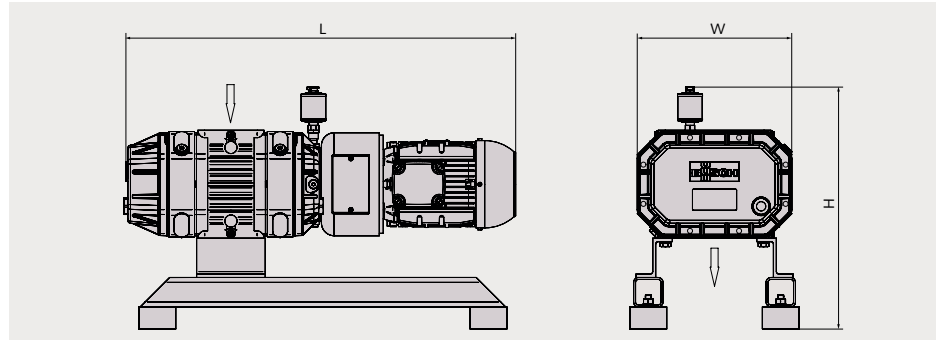
Technical specifications

Within the housing of Puma WP Roots vacuum pumps, two pistons rotate synchronously. Thanks to the special profile of the rotating pistons and their precise manufacturing, they do not come into contact with each other or the housing. This makes it possible to pump a medium without the need of any operating fluids. The synchronous rotation of the two rolling pistons is driven by a pair of gear wheels located on the shaft ends in the gearbox and separated from the compression chamber. The Roots vacuum pumps are driven by a directly flanged electric motor of efficiency class IE2.

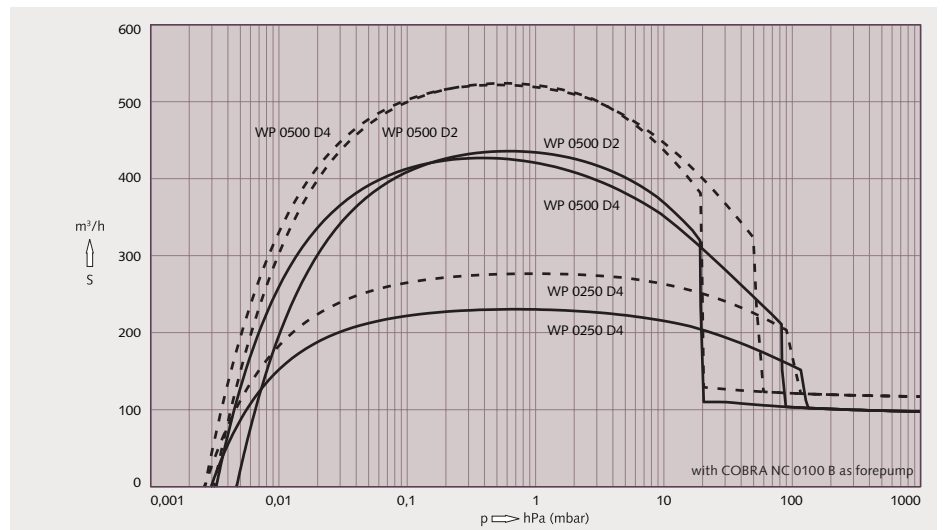
Roots vacuum pumps from Busch

In addition to the Puma WP series, Busch also manufactures other Roots vacuum pumps in a range of sizes. When used on vacuum systems, these cover virtually all applications in industry, as well as the research and science sectors. Contact us. Our application specialists are happy to advise you.

Puma WP 0250/0500 D2/D4



Pumping speed Air at 20 °C. Tolerance: ± 10% — 50 Hz - - - - 60 Hz



Technical Data			WP 0250 D4	WP 0500 D2	WP 0500 D4
Nominal pumping speed	50 Hz / 60 Hz	m ³ /h	230 / 280	435 / 525	435 / 525
Max. pressure differential	50 Hz / 60 Hz	hPa (mbar)	80	50	80
Nominal motor rating	50 Hz / 60 Hz	kW	1.1 / 1.2	2.2 / 3.0	1.8 / 2.4
Nominal motor speed	50 Hz / 60 Hz	min ⁻¹	1500 / 1800	3000 / 3600	1500 / 1800
Weight approx.		kg	133	178	190
Dimensions	L x W x H	mm	799 x 315 x 494	799 x 315 x 494	977 x 315 x 494
Gas inlet / outlet		ISO-F	DN 63 / DN 63	DN 63 / DN 63	DN 160 / DN 160

Busch Vacuum Kft.

Gyári út 23. | H-2310 Szigetszentmiklós | Phone +36 24 887 308 | busch@buschvacuum.hu | www.buschvacuum.hu

Argentina Australia Austria Belgium Brazil Canada Chile China Czech Republic Denmark Finland France Germany Hungary India Ireland Israel Italy Japan Korea Malaysia Mexico New Zealand Netherlands Norway Poland Portugal Russia Singapore South Africa Spain Sweden Switzerland Taiwan Thailand Turkey United Arab Emirates United Kingdom USA

Technical data is subject to change. Created in Germany 05/19