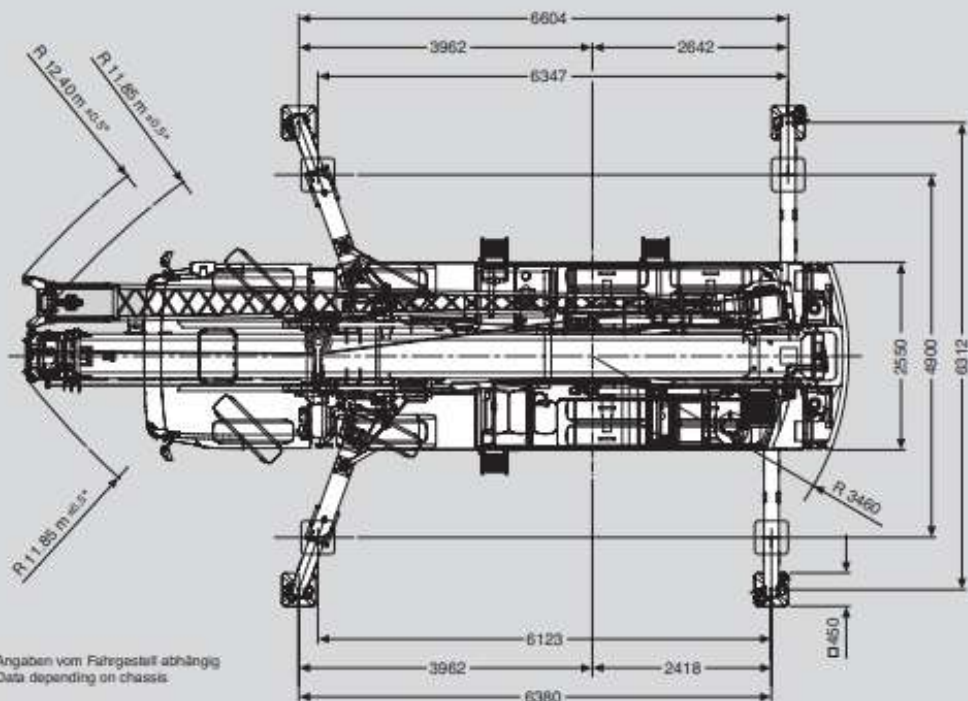
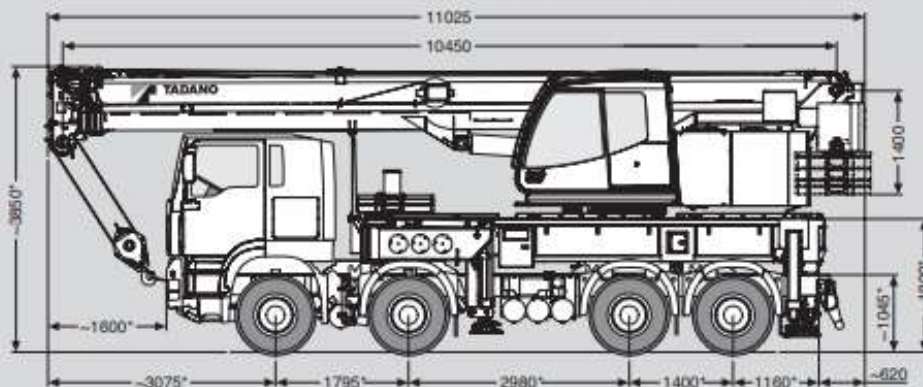
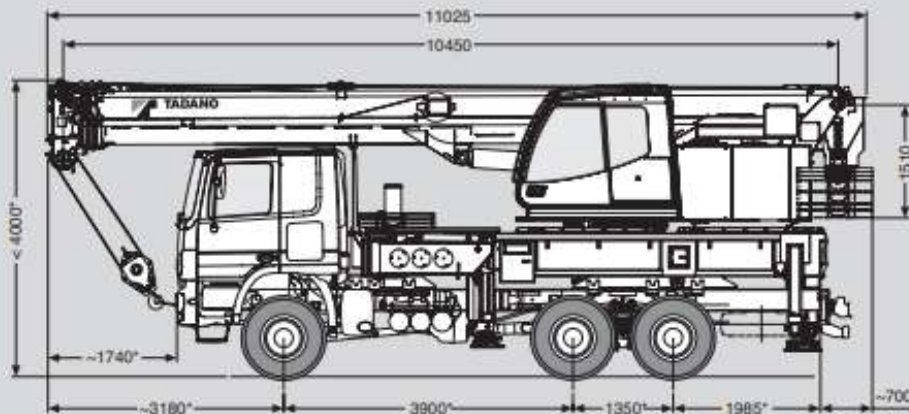


DIN/ISO/EN



* Angaben vom Fahrgestell abhängig
* Data depending on chassis

TERHELÉSI TÁBLÁZAT

(megengedett terhelés [tonnában])



Operation · Einsatz · Utilisation
Uso · Эксплуатация

Lifting capacities · Traglasten · Charges de levage
Cargas · Portate · Грузоподъемность



m	10.5 m*	10.5 m	15.4 m	20.4 m	25.3 m	30.3 m	32.7 m	35.2 m
3.0	40.0**	35.0**	20.0	20.0	15.0			
3.5	36.0**	32.4	20.0	20.0	15.0			
4.0	32.7	29.8	20.0	20.0	15.0			
4.5	29.9	27.6	20.0	20.0	15.0	10.3		
5.0	27.4	25.3	20.0	20.0	14.8	10.3		
6.0	23.5	21.8	20.0	20.0	13.7	10.3	8.9	7.6
7.0	19.9	19.7	19.9	18.7	12.6	10.3	8.9	7.6
8.0			17.7	17.1	11.7	9.6	8.8	7.6
9.0			14.8	14.9	10.8	8.9	8.2	7.6
10.0			12.6	12.6	10.1	8.3	7.6	7.1
11.0			10.8	10.9	9.5	7.8	7.2	6.7
12.0			9.5	9.5	8.9	7.3	6.7	6.3
14.0				7.5	7.5	6.4	6.0	5.6
16.0				6.1	6.1	5.6	5.4	5.0
18.0					5.1	5.0	4.7	4.5
20.0					4.2	4.3	4.2	4.0
22.0					3.6	3.6	3.6	3.6
24.0						3.1	3.1	3.1
26.0						2.7	2.7	2.7
28.0							2.3	2.3
30.0								2.0
32.0								1.8



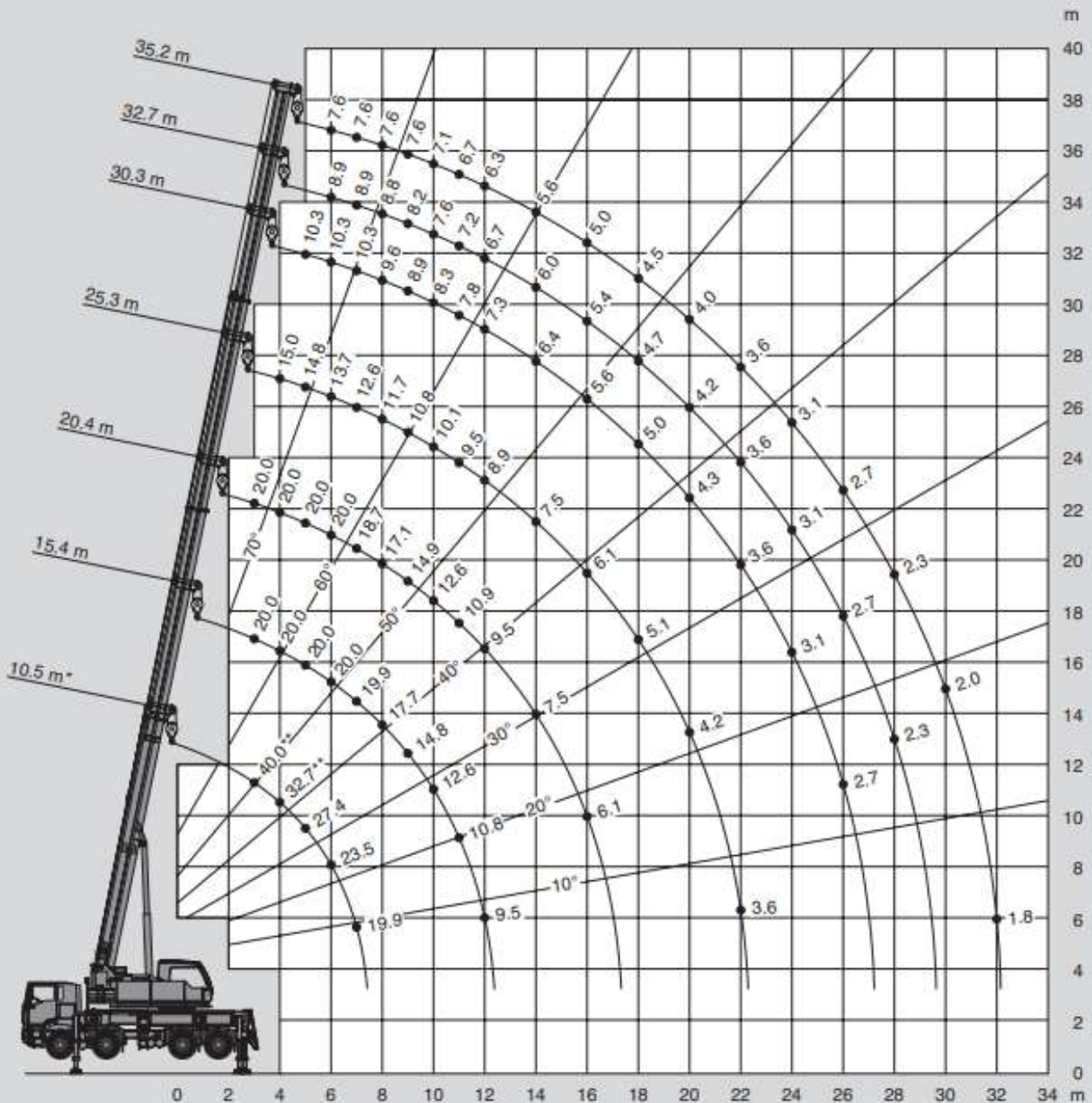
m	10.5 m*	10.5 m	15.4 m	20.4 m	25.3 m	30.3 m	32.7 m	35.2 m
3.0	40.0**	35.0**	20.0	20.0	15.0			
3.5	36.0**	32.4	20.0	20.0	15.0			
4.0	32.5	29.6	20.0	20.0	15.0			
4.5	29.5	27.2	20.0	20.0	15.0	10.3		
5.0	26.9	24.8	20.0	20.0	14.8	10.3		
6.0	22.8	21.3	20.0	20.0	13.7	10.3	8.9	7.6
7.0	18.8	18.8	19.2	18.7	12.6	10.3	8.9	7.6
8.0			15.4	15.5	11.7	9.6	8.8	7.6
9.0			12.7	12.9	10.8	8.9	8.2	7.6
10.0			10.6	10.7	10.1	8.3	7.6	7.1
11.0			9.5	9.5	9.5	7.8	7.2	6.7
12.0			8.3	8.4	8.4	7.3	6.7	6.3
14.0				6.5	6.6	6.4	6.0	5.6
16.0				5.3	5.3	5.3	5.4	5.0
18.0					4.3	4.4	4.4	4.4
20.0					3.6	3.6	3.7	3.7
22.0					3.0	3.0	3.1	3.1
24.0						2.6	2.6	2.6
26.0						2.2	2.2	2.2
28.0							1.8	1.8
30.0								1.6
32.0								1.3

TERHELÉSI DIAGRAM

(megengedett terhelés [tonnában])



DIN/ISO/EN

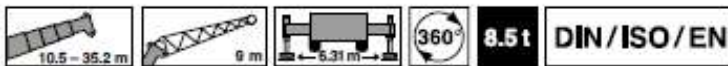


TERHELÉSI TÁBLÁZAT 9 méteres segédgémmel

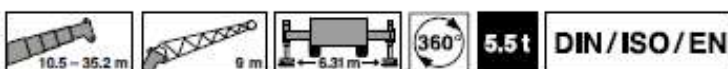
(megengedett terhelés [tonnában])



Lifting capacities · Traglasten · Charges de levage
Cargas · Portate · Грузоподъемность



m	10.5 m + 9.0 m			30.3 m + 9.0 m			35.2 m + 9.0 m		
	0°	20°	40°	0°	20°	40°	0°	20°	40°
3.0	6.5								
3.5	6.5								
4.0	6.5	6.5							
4.5	6.5	6.5							
5.0	6.5	6.4							
6.0	6.5	6.0		5.1					
7.0	6.5	5.8	4.7	5.1					
8.0	6.4	5.4	4.5	5.1			4.0		
9.0	6.0	5.1	4.4	5.1	4.6		4.0		
10.0	5.6	4.9	4.2	5.1	4.4		4.0		
11.0	5.3	4.6	4.1	4.9	4.2		4.0	3.7	
12.0	5.0	4.4	4.0	4.7	4.1	3.8	4.0	3.5	
14.0	4.6	4.1	3.9	4.3	3.8	3.5	3.7	3.3	3.1
16.0	4.2	4.0		4.0	3.6	3.3	3.4	3.1	2.9
18.0				3.7	3.4	3.2	3.2	2.9	2.8
20.0				3.5	3.2	3.0	2.9	2.8	2.6
22.0				3.3	3.0	2.9	2.7	2.6	2.5
24.0				3.0	2.9	2.8	2.5	2.5	2.4
26.0				2.8	2.8	2.7	2.3	2.3	2.3
28.0				2.4	2.6	2.6	2.2	2.2	2.2
30.0				2.1	2.2	2.3	2.0	2.0	2.0
32.0				1.9	1.9		1.8	1.9	1.9
34.0				1.6	1.7		1.6	1.7	1.7
36.0				1.4			1.4	1.4	
38.0							1.2	1.2	
40.0							1.0	1.0	



m	10.5 m + 9.0 m			30.3 m + 9.0 m			35.2 m + 9.0 m		
	0°	20°	40°	0°	20°	40°	0°	20°	40°
3.0	6.5								
3.5	6.5								
4.0	6.5	6.5							
4.5	6.5	6.5							
5.0	6.5	6.4							
6.0	6.5	6.0		5.1					
7.0	6.5	5.8	4.7	5.1					
8.0	6.4	5.4	4.5	5.1			4.0		
9.0	6.0	5.1	4.4	5.1	4.6		4.0		
10.0	5.6	4.9	4.2	5.1	4.4		4.0		
11.0	5.3	4.6	4.1	4.9	4.2		4.0	3.7	
12.0	5.0	4.4	4.0	4.7	4.1	3.8	4.0	3.5	
14.0	4.6	4.1	3.9	4.4	3.8	3.5	3.7	3.3	3.1
16.0	4.2	4.0		4.1	3.6	3.3	3.4	3.1	2.9
18.0				3.8	3.4	3.2	3.2	2.9	2.8
20.0				3.6	3.2	3.1	3.0	2.8	2.7
22.0				3.2	3.1	3.0	2.8	2.6	2.6
24.0				2.7	2.9	2.8	2.6	2.5	2.5
26.0				2.3	2.5	2.5	2.3	2.4	2.4
28.0				2.0	2.1	2.2	1.9	2.1	2.2
30.0				1.7	1.8	1.8	1.7	1.8	1.8
32.0				1.4	1.5		1.4	1.5	1.6
34.0				1.2	1.3		1.2	1.3	1.3
36.0				1.1			1.0	1.1	
38.0							0.8	0.9	
40.0							0.7	0.7	

TERHELÉSI DIAGRAM 9 méteres segédgémnel

(megengedett terhelés [tonnában])

