

HACH 5500 sc SILICA ANALYSER

Applications

- Power



Lower maintenance, less downtime

Delivering reliable results that save you critical time and effort.

90 days of continuous runtime

Only two litres of reagent are required for the analyser to perform unattended for up to 90 days; twice as long as the previous analyser versions.

Save time on maintenance

The industry's only pressurized reagent delivery system eliminates the frequent maintenance associated with pumps.

Avoid downtime

Predictive diagnostic tools, including Hach's proprietary PROGNOSYS technology, warning LEDs, and high-visibility notification screens let you avoid unplanned downtime.

Clean, fast and easy reagent change

No more dripping reagents on the instrument, the floor, or your clothing while fumbling with tubes and straws. Simply match the colour-coded cap to the sealed reagent bottle and twist gently.

Verify easily with Hach Lab products so you don't waste time second-guessing

Grab Sample In and Grab Sample Out features allow quick analysis of a grab sample poured into the analyser, and facilitate taking a sample out of the analyser to verify in a lab test.

Technical Data*

Measuring principle	Colorimetric
Measuring range	0 - 5000 µg/L as SiO ₂
Accuracy	0 - 500 µg/L: ±1% or ±1 µg/L of reading, whichever is greater; 500 - 5000 µg/L: ±5%
Repeatability	± 0.5 µg/L or ± 1 % of reading, whichever is greater
Detection limit	0.5 µg/L
Response time	Typically, 9.5 minutes at 25 °C; changes with temperature
Reagent consumption	2 L of each reagent every 90 days with 15 minute cycle time
Operating temperature range	5 - 45 °C
Operating conditions	5 - 95 % relative humidity, non-condensing (indoor use only)
Sample pressure	0.14 - 6 bar (to preset pressure regulator)
Sample temperature	5 - 50 °C
Flow rate	55 - 300 mL/min
Number of channels	1, 2, 4, 6; programmable sequence
Grab sample	Grab Sample In and Grab Sample Out capability

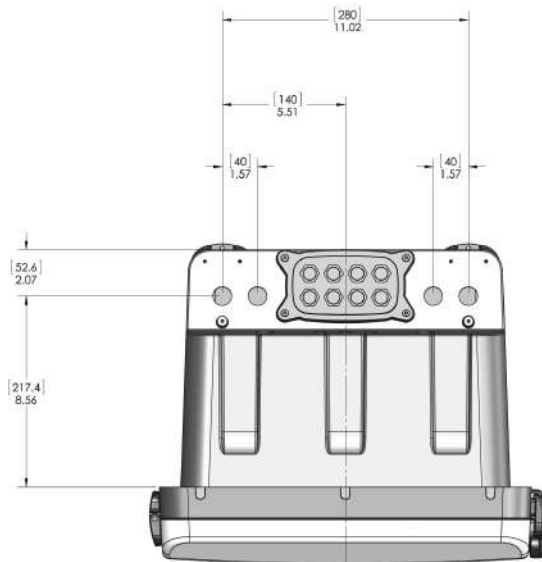
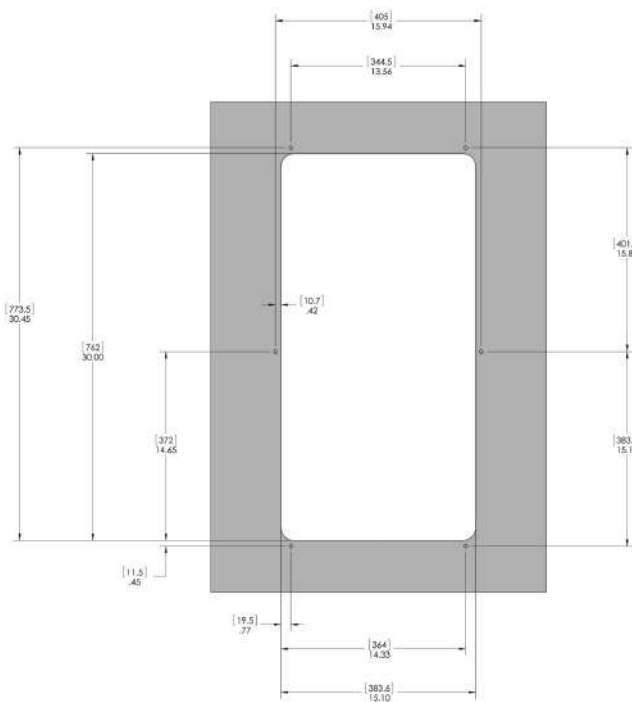
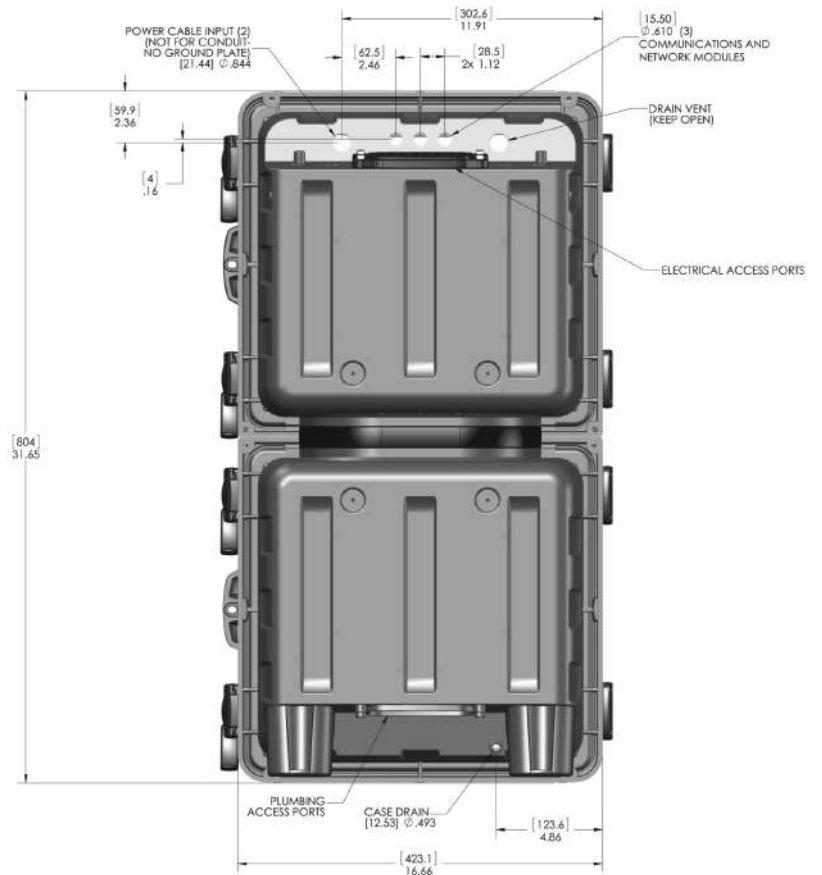
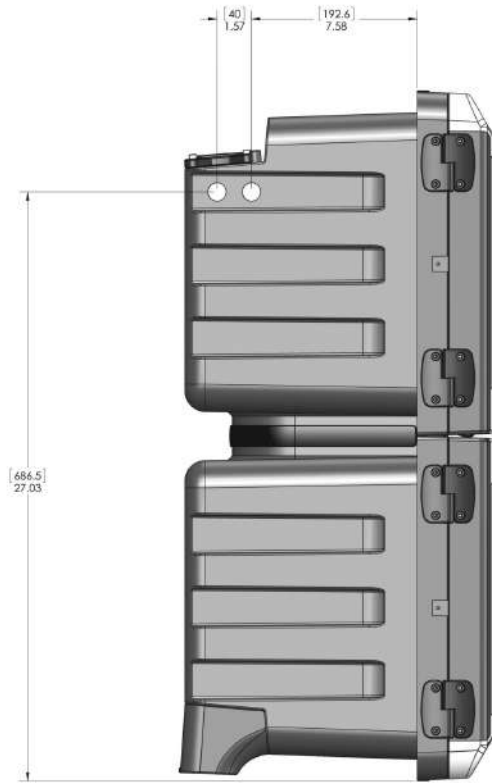
Mounting	Wall, panel or table
Fitting	Sample line and sample bypass drain: 6 mm (¼-in.) Air purge inlet: 6 mm (¼-in.)
Power requirements (Voltage)	100 - 240 V AC, 24 V DC
Power requirements (Hz)	50/60 Hz
Output	4 - 20 mA
Dimensions (H x W x D)	804 mm x 452 mm x 360 mm
Enclosure waterproof rating	NEMA 4X/IP56
Certifications	CE (EN 61326-1: 2006; EN 61010-1: 2010; EN 60529: 1991, +A1:2000) KC (EN 61326-1: 2006) C-tick (EN 61326-1: 2006) cETLus (UL 61010-1: 2012; NEMA 250: 2003; CSA C22.2 No 61010-1: 2012)

*Subject to change without notice.

Principle of Operation

Silica in the sample reacts with molybdate ions under acidic conditions to form silicomolybdic acid complexes. Addition of citric acid destroys the phosphate complexes. Amino acid reagent is then added to reduce the yellow silicomolybdic acid to an intense blue colour, which is proportional to the silica concentration. Test results are measured at 815 nm.

Dimensions



Order Information

Instruments

5500.KTO.S0.A1E	Hach 5500 sc Silica Analyser, proprietary chemistry only, AC, 1 channel
5500.KTO.S0.A2E	Hach 5500 sc Silica Analyser, proprietary chemistry only, AC, 2 channels
5500.KTO.S0.A4E	Hach 5500 sc Silica Analyser, proprietary chemistry only, AC, 4 channels
5500.KTO.S0.A6E	Hach 5500 sc Silica Analyser, proprietary chemistry only, AC, 6 channels
5500.KTO.S0.D1E	Hach 5500 sc Silica Analyser, proprietary chemistry only, DC, 1 channel
5500.KTO.S0.D2E	Hach 5500 sc Silica Analyser, proprietary chemistry only, DC, 2 channels
5500.KTO.S0.D4E	Hach 5500 sc Silica Analyser, proprietary chemistry only, DC, 4 channels
5500.KTO.S0.D6E	Hach 5500 sc Silica Analyser, proprietary chemistry only, DC, 6 channels

Each Analyser comes with a Hach reagents set for start up and up to 90 days of use.

Reagents

6783600	5500 sc Silica reagent set
6774802	5500 sc Reagent 1 Silica, 2 L
6774902	5500 sc Reagent 2 Silica, 2 L
6775102	5500 sc Reagent 3 Silica, package
6775002	5500 sc Standard 1 Silica, 2 L

Accessories/Options

6787000	Kit, retrofit panel, S5000 to 5500 sc
9179800	Power cord, Europe
6786600	Stainless steel sample adapter kit
1757700	Stainless steel sample cooler
6792501	Module kit, Modbus (SC200)
6792601	Module kit, Profibus (SC200)

Service Packages

TSE-COM-5500SC	Commissioning for online analyser 5500 sc. Includes operator training, first line maintenance and safety requirements.
TSE-MC-5500SC	Onsite one-off inspection for online analyser 5500 sc. Includes onsite visit on demand and final reporting.
TSE-BC-5500SC	Basic maintenance contract for online analyser 5500 sc. Includes regular onsite preventive maintenance and final reporting.
TSE-CC-5500SC	Comfort maintenance contract for online analyser 5500 sc. Includes regular onsite preventive maintenance and final reporting. Extended warranty up to 60 months.