

# Order picking truck 1.8 -2.0 ton

## BT optio

*L-series*

OSE200X

OSE180XP



# Order picking truck

Truck specifications					OSE200X	OSE180XP	
Identification	1.1	Manufacturer			BT	BT	
	1.2	Model			OSE200X	OSE180XP	
	1.3	Drive			Electric	Electric	
	1.4	Operator type			Stand on	Stand on	
	1.5	Load capacity/rated load	Q	kg	2000	1800	
	1.6	Load centre	c	mm	1200	1425	
	1.8	Load distance, back of fork to bogie wheel centre	x	mm	1485	1485	
	1.9	Wheelbase, short/long chassis	y	mm	2690/2776	2690/2776	
	Weight	2.1	Service weight without battery, short/long chassis		kg	1201/1225	1201/1225
2.2		Axle load, with load, drive/castor/fork wheels short chassis long chassis		kg	780/836/943	780/836/943	
				kg	680/673/1144	680/673/1144	
2.3		Axle load, without load, drive/castor/fork wheels short chassis long chassis		kg	597/500/339	597/500/339	
				kg	746/570/293	746/570/293	
Wheels		3.1	Drive/castor/fork wheels			Vulkollan	Vulkollan
	3.2	Wheel size, front		mm	Ø 250 x 105	Ø 250 x 105	
	3.3	Wheel size, rear		mm	Ø 85 x 74	Ø 85 x 74	
	3.4	Additional wheels (dimensions)		mm	Ø 150 x 78	Ø 150 x 78	
	3.5	Wheels, number front/rear (x=driven wheels)		mm	1x+ 1/4	1x+ 1/4	
Dimensions	4.2.1	Overall height	$h_{15}$	mm	1370	2199	
	4.4	Lift Lift height	$h_3$	mm	710	710	
			$h_{23}$	mm	800	800	
	4.8	Stand height, min./max.	$h_7$	mm	138	138/980	
	4.15	Height, fork lowered	$h_{13}$	mm	90	90	
	4.19	Overall length, short/long chassis	$l_1$	mm	3784/3870	3784/3870	
	4.20	Length to face of forks, short/long chassis	$l_2$	mm	1434/1520	1434/1520	
	4.21	Overall width	$b_1$	mm	790	790	
	4.22	Fork dimensions	s/e/l	mm	70/180/2350, 2850	70/180/2350, 2850	
	4.25	Width over forks	$b_5$	mm	550-570	550-570	
	4.31	Ground clearance	$m_1$	mm	23	23	
	4.34	Aisle width for pallets 800 x 1200 lengthways	$A_{st}$	mm	3819	3819	
	4.35	Turning radius, short/long chassis	$W_a$	mm	2704/2790	2704/2790	
4.44	Clear width driver compartment entrance	$l_{24}$	mm	450	450		
Performance data	5.1	Travel speed, with/without load <sup>1)</sup>		km/h	8,5/12,0	7,0/12,0	
	5.2	Lift speed, with/without load		m/s	0,07/0,12	0,07/0,12	
	5.3	Lowering speed, with/without load		m/s	0,12/0,12	0,12/0,12	
	5.8	Max. gradeability, with/without load <sup>1)</sup>		%	5/5	5/5	
	5.10	Service brake			Electromagnetic	Electromagnetic	
Electric motor	6.1	Drive motor rating S2 60 min		kW	2,8	2,8	
	6.2	Lift motor rating S3 7%		kW	2,0	2,0	
	6.4	Battery voltage, nominal capacity $K_5$		V/Ah	24/620	24/620	
	6.5	Battery weight, min./max.		kg	239-501	239-501	
	6.6	Energy consumption acc to VDI cycle <sup>2)</sup>		kWh/h	60	60	
	Other	8.1	Type of drive control			BT Powerdrive	BT Powerdrive
8.4		Sound level at the driver's ear according to EN 12 053		dB(A)			

1) Measured according to company standard.

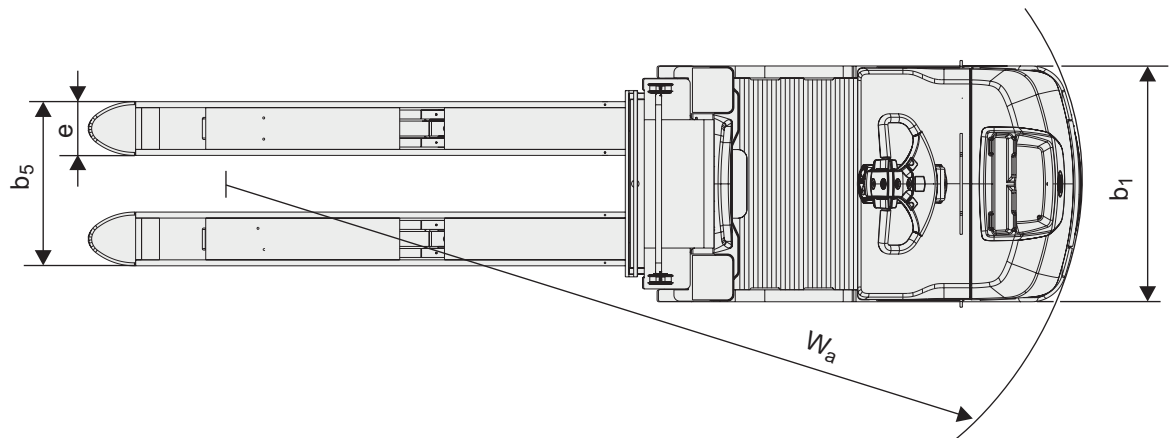
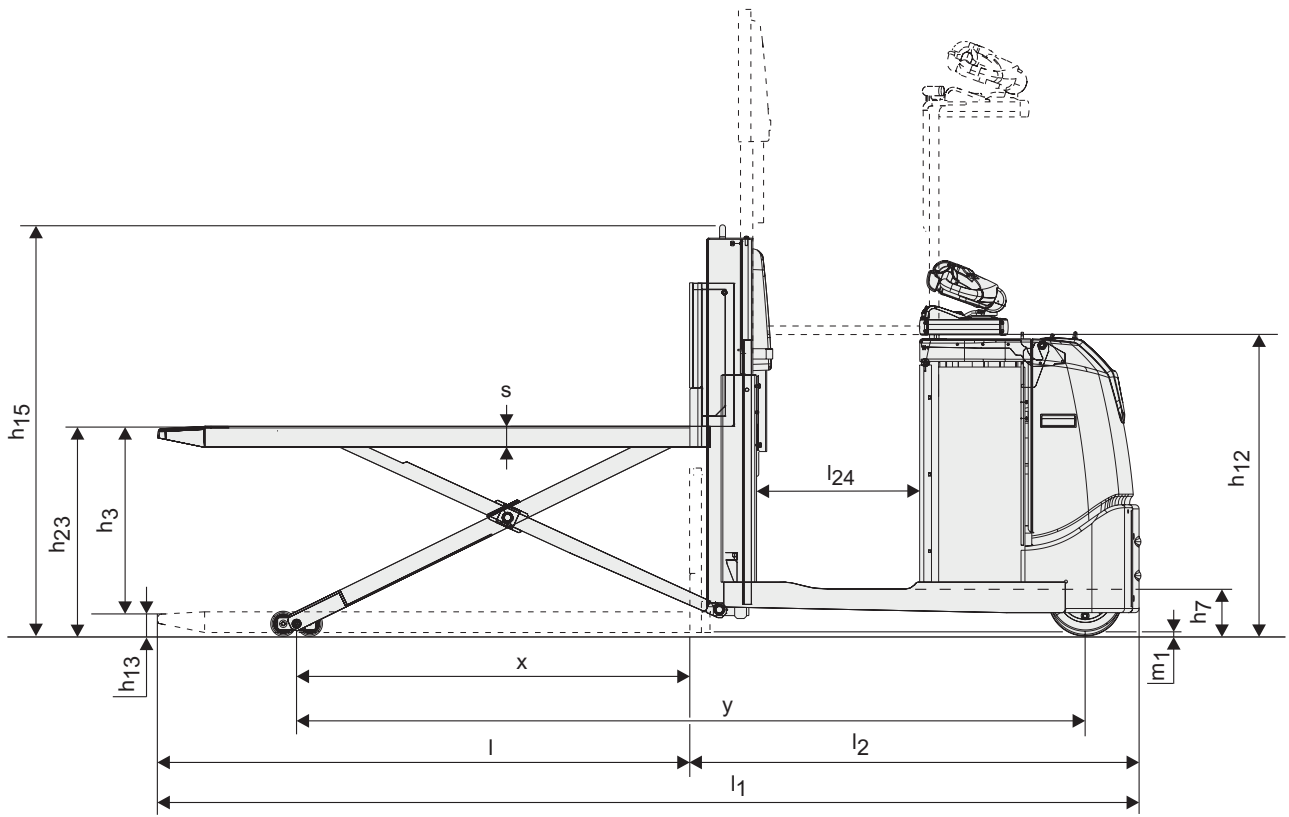
2) Contact your supplier for information.

\*) Values are for 620Ah battery. Other batteries will give other values.

All data are based on table configuration. Other configurations may give other values.

Truck performance and dimensions are nominal and subject to tolerances.

BT products and specifications are subject to change without notice.



---

## Truck features:

- High performance models
- High capacity, high lifting forks
- BT E-man steering concept
- Low step-in
- BT Powerdrive system
- Sensi-platform lift
  - including elevating controls (P-model)
- Integrated shrink film holder
- Streamlined administration
  - E-bar concept (option)
- Frequency adapted suspension (option)



TP-Technical Publications, Sweden — 746575-040, version 4, 1506