

Electric Powered Forklift 2.0 - 3.0 ton

8FBCU



TOYOTA

MATERIAL HANDLING

stronger together

Electric Powered Forklifts 2.0 - 3.0 ton

8FBCU

Truck specifications					8FBCU20	8FBCU25	8FBCU30
Identification	1.1	Manufacturer			TOYOTA	TOYOTA	TOYOTA
	1.2	Model			8FBCU20	8FBCU25	8FBCU30
	1.3	Drive			Electric	Electric	Electric
	1.4	Operator type			Rider seated	Rider seated	Rider seated
	1.5	Load capacity/rated load	Q		2000	2500	3000
	1.6	Load centre	c		500	500	500
	1.8	Load distance, centre of drive axle to fork	x		425	425	450
	1.9	Wheelbase	y	mm	1295	1295	1390
	Weight	2.1	Service weight		kg	3930	4245
2.2		Axle load, with load, front/rear		kg	5070/860	5850/900	6900/950
2.3		Axle load, without load, front/rear		kg	1640/2290	1560/2685	1850/3000
Tyres	3.1	Tyre - pneumatic (P), pneumatic shaped cushion (SE), solid rubber (R)			R	R	R
	3.2	Tyre size, front			21x7x15	21x7x15	21x8x15
	3.3	Tyre size, rear			16x5x10-1/2	16x5x10-1/2	16x6x10-1/2
	3.5	Wheels, number front/rear (x=driven wheels)			2x/2	2x/2	2x/2
	3.6	Track width, front	b ₁₀	mm	890	890	910
	3.7	Track width, rear	b ₁₁	mm	915	915	915
	Dimensions	4.1	Tilt of mast/fork carriage forward/backward	a/b	deg	6/8	6/8
4.2		Height, mast lowered	h ₁	mm	2115	2115	2110
4.3		Free lift	h ₂	mm	155	155	135
4.4		Lift	h ₃	mm	3300	3300	3300
		Lift height	h ₂₃	mm	3340	3340	3345
4.5		Height, mast extended	h ₄	mm	4560	4560	4565
4.7		Height of overhead guard (cab)	h ₆	mm	2235	2235	2235
4.8		Seat height	h ₇	mm	1110	1110	1110
4.12		Coupling height	h ₁₀	mm	260	260	260
4.19		Overall length	l ₁	mm	3140	3210	3345
4.20		Length to face of forks	l ₂	mm	2070	2140	2275
4.21		Overall width	b ₁	mm	1065	1065	1110
4.22		Fork dimensions	s/e/l	mm	40/125/1070	40/125/1070	45/125/1070
4.23		Fork carriage DIN 15 173, class/type A, B			IIA	IIA	IIIA
4.24		Fork-carriage width	b ₃	mm	920	920	970
4.31		Ground clearance, with load, below mast	m ₁	mm	75	75	70
4.32		Ground clearance, centre of wheelbase	m ₂	mm	100	100	100
4.33		Aisle width for pallets 1000 x 1200 crossways	A _{st}	mm	3415	3425	3610
4.34		Aisle width for pallets 800 x 1200 lengthways	A _{st}	mm	3615	3625	3810
4.35		Turning radius	W _a	mm	1790	1800	1960
4.36	Internal turning radius	b ₁₃	mm	560	560	565	
Performance data	5.1	Travel speed, with/without load		km/h	18,5/18,5	18,5/18,5	18,0/18,5
	5.2	Lift speed, with/without load		m/s	0,45/0,66	0,40/0,66	0,35/0,59
	5.3	Lowering speed, with/without load		m/s	0,50/0,50	0,50/0,50	0,50/0,50
	5.5	Drawbar pull, with/ without load		N	7140/7570	7030/7520	6500/7270
	5.6	Max. drawbar pull, with/without load		N	14750/9530	14640/8950	14070/10440
	5.7	Gradeability, with/without load		%	11/19	9/17	7/14
	5.8	Max. gradeability, with/without load		%	25/23	21/19	17/20
5.10	Service brake			Hydraulic	Hydraulic	Hydraulic	
Electric motor	6.1	Drive motor rating S2 60 min		kW	14,8	14,8	18,0
	6.2	Lift motor rating S3 15%		kW	15,1	15,1	15,1
	6.3	Battery acc. to DIN 43 531/35/36 A, B, C, no			—	—	—
	6.4	Battery voltage, nominal capacity K ₅		V/Ah	48/765	48/765	48/850
	6.5	Battery weight		kg	1090	1090	1360
Others	8.1	Type of drive control			Transistor inverter	Transistor inverter	Transistor inverter
	8.2	Operating pressure for attachments		bar	181	181	181
	8.3	Oil volume for attachments		l/min			
	8.4	Sound level at the driver's ear according to EN 12 053		dB(A)	70	70	70

Performance data and dimensions are nominal and subject to tolerances.
 Specifications are subject to change without notice.
 Please obtain the latest specifications before contracting products.

Master dimensions and rated capacities

8FBCU

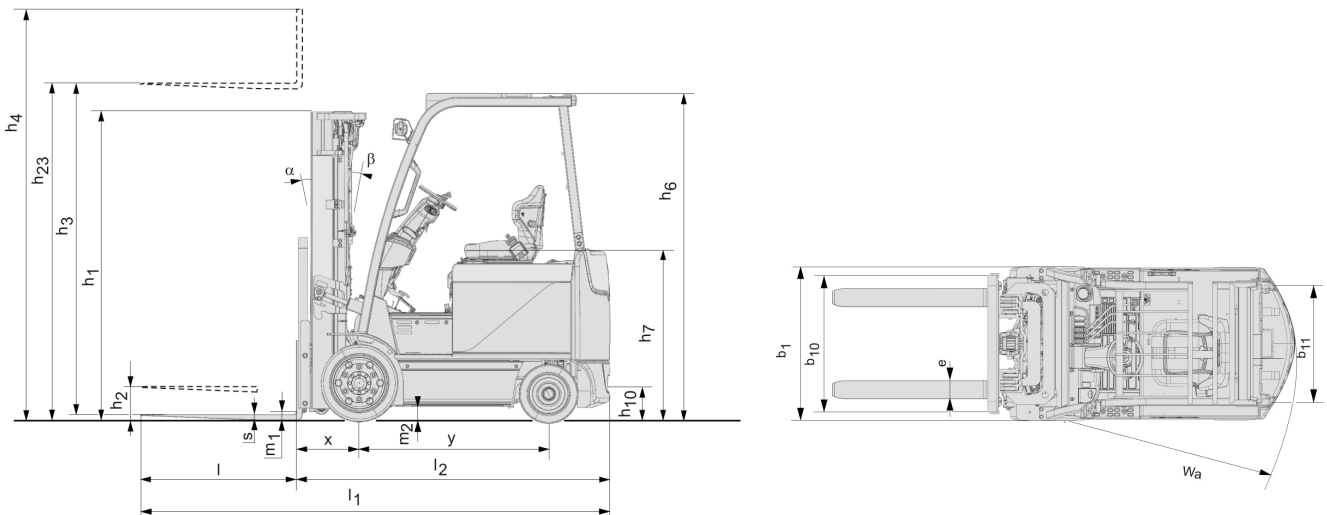
Model			V					FV			FSV					
8FBCU20/25	Lift height	h_{23}	3040	3340	3540	3740	4040	3040	3340	3540	4040	4340	4800	5040	5540	6040
	Lift	h_3	3000	3300	3500	3700	4000	3000	3300	3500	4000	4300	4760	5000	5500	6000
	Height, mast lowered	h_1	1965	2115	2215	2375	2565	1965	2115	2215	1865	1965	2115	2215	2375	2565
	Height, mast extended ¹⁾	h_4	3690	3990	4190	4390	4690	3645	3945	4145	4680	4980	5445	5680	6180	6680
	Height, mast extended ²⁾	h_4	4260	4560	4760	4960	5260	4260	4560	4760	5260	5560	6025	6260	6760	7260
	Free lift, without load backrest	h_2	155	155	155	155	155	1360	1510	1610	1220	1320	1470	1570	1730	1920
	Free lift, with load backrest	h_2	155	155	155	155	155	745	895	995	645	745	895	995	1155	1345
8FBCU30	Lift height	h_{23}	3045	3345	3545	3745	4045	3045	3345	3545	4045	4345	4750	5045	5545	6045
	Lift	h_3	3000	3300	3500	3700	4000	3000	3300	3500	4000	4300	4705	5000	5500	6000
	Height, mast lowered	h_1	1960	2110	2210	2370	2560	1960	2110	2210	1960	2110	2210	2370	2560	2810
	Height, mast extended ¹⁾	h_4	3740	4040	4240	4440	4740	3655	3955	4155	4655	4965	5355	5655	6155	6655
	Height, mast extended ²⁾	h_4	4265	4565	4765	4965	5265	4265	4565	4765	5265	5565	5965	6265	6765	7265
	Free lift, without load backrest	h_2	135	135	135	135	135	1350	1500	1600	1435	1585	1685	1845	2035	2285
	Free lift, with load backrest	h_2	135	135	135	135	135	740	890	990	745	890	990	1150	1340	1590

1) Without load backrest.

2) With load backrest; Height of standard load backrest is 1220 mm.

Cushion tyre (STD tread)			V					FV			FSV					
8FBCU20	Tilt range, forward	deg	6	6	6	6	6	6	6	6	6	6	6	6	6	6
	Tilt range, backward	deg	8	8	8	8	8	8	8	8	5	5	5	5	5	5
	Load capacity at 500 mm LC	kg	2000	2000	2000	2000	2000	2000	2000	2000	2000	2000	2000	1980	1900	—
8FBCU25	Tilt range, forward	deg	6	6	6	6	6	6	6	6	6	6	6	6	6	6
	Tilt range, backward	deg	8	8	8	8	8	8	8	8	5	5	5	5	5	5
	Load capacity at 500 mm LC	kg	2500	2500	2500	2500	2500	2500	2500	2500	2500	2450	2370	2330	—	—
8FBCU30	Tilt range, forward	deg	6	6	6	6	6	6	6	6	6	6	6	6	6	6
	Tilt range, backward	deg	8	8	8	8	8	8	8	8	5	5	5	5	5	5
	Load capacity at 500 mm LC	kg	3000	3000	3000	3000	2980	3000	3000	3000	3000	2930	2840	2780	2670	1900

Cushion tyre (Wide tread)			V					FV			FSV					
8FBCU20	Tilt range, forward	deg	6	6	6	6	6	6	6	6	6	6	6	6	6	6
	Tilt range, backward	deg	8	8	8	8	8	8	8	8	5	5	5	5	5	5
	Load capacity at 500 mm LC	kg	2000	2000	2000	2000	2000	2000	2000	2000	2000	2000	2000	1980	1900	1830
8FBCU25	Tilt range, forward	deg	6	6	6	6	6	6	6	6	6	6	6	6	6	6
	Tilt range, backward	deg	8	8	8	8	8	8	8	8	5	5	5	5	5	5
	Load capacity at 500 mm LC	kg	2500	2500	2500	2500	2500	2500	2500	2500	2500	2450	2370	2330	2240	1760
8FBCU30	Tilt range, forward	deg	6	6	6	6	6	6	6	6	6	6	6	6	6	6
	Tilt range, backward	deg	8	8	8	8	8	8	8	8	5	5	5	5	5	5
	Load capacity at 500 mm LC	kg	3000	3000	3000	3000	2980	3000	3000	3000	3000	2930	2840	2780	2670	2570



Standard equipments:

- Toyota SAS (System of Active Stability)
- Toyota AC² power system
- Toyota OPS (Operator Presence Sensing)
- Toyota ORS (Operator Restraint System) seat
- Wide visible mast (MFH: 3300 mm)
- Load backrest (Height: 1220 mm)
- Long forks (Length: 1070 mm)
- Long forkbar (Length: 920 mm)
- 3-way valve
- Cowl-mounted hydraulic levers
- Full hydraulic power steering
- Headlights
- Rear combination lights
- Digital LCD multifunction display
- Memory tilt steering column
- Cushion tyres



TP-Technical Publications, Sweden — 745552-040, version 1, 1003 — 8FBCU