

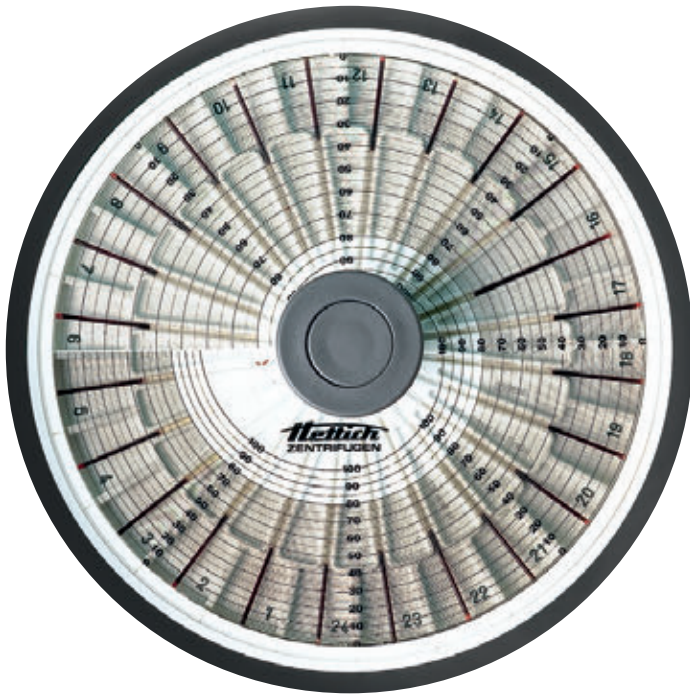
HAEMATOKRIT 200

Haematocrit centrifuge

Rapid: Determination of the haematocrit in minutes



HAEMATOKRIT 200



View into the centrifuging chamber
showing rotor 2076 with lid as
evaluation disc

SAVE TIME – ITS RAPID ACCELERATION DELIVERS RESULTS QUICKLY AND RELIABLY

The HAEMATOKRIT 200 is a compact centrifuge to efficiently determine the erythrocyte volume fraction in blood. It can hold up to 24 capillaries per run at an RCF of up to 16,060. The maximum packing density of the cells is achieved within seven minutes. The cell-free plasma is then available for further tests. This model additionally offers a number of features which have been designed to make daily routines simpler and safer.

Its performance makes this model suitable for use in neonatology, haematology and sports medicine.

USER-FRIENDLY ACCESSORIES AND HIGH CAPACITY

The accessories range of the centrifuge includes a haematocrit rotor for 24 standard capillaries and a disc rotor for 20 capillaries for buffy coat analysis. A lid is included with both rotors.



HAEMATOKRIT 200
Haematocrit centrifuge

Cat. No. 1801

HAEMATOKRIT 200



STURDY DESIGN

This centrifuge is of outstanding design with high-quality components. These include a metal lid and a deep metal chamber which securely holds the rotor.

PRACTICAL FUNCTIONS

The rotor lid at the same time serves as an evaluation disc, enabling the haematocrit values to be read off without difficulty after sedimentation, without first having to remove the capillaries. This saves time and offers additional safety.

MAXIMUM SAFETY

Its unique rotor design ensures safe centrifugation: Each capillary has its own chamber in the segmented haematocrit rotor and is cushioned by a holding tray at the outer rim. This provides optimum protection if the glass breaks. The sturdy housing and solid design ensure mechanical safety.



AT A GLANCE



FIELDS OF APPLICATION

- **Haematology**
Determination of the haematocrit for diagnostic purposes
- **Sports medicine**
Determination of the haematocrit for doping tests
- **Neonatology**
Sample preparation for photometric determination of bilirubin in the blood of neonates

EASE OF OPERATION

- Time-saving read-off of the haematocrit value from the rotor
- Practical control panel allows time and speed to be set quickly and easily
- The remaining run time and speed are shown on the display

SAFETY

- Lid locking and holding
- Lid dropping protection
- Emergency lid lock release
- Imbalance switch-off
- Deep metal chamber to securely accommodate the rotor

DESIGN

- Ergonomically designed controls
- Well readable display
- Solid lid
- Deep metal chamber

MAX. RCF

- 16,060

MAX. CAPACITY

- 24 standard capillaries (in the haematocrit rotor)

OUR SERVICE

You will find information on Hettich partners in your country at www.hettichlab.com

ACCESSORIES AND TECHNICAL DATA



Haematocrit rotor, 24-place



$n = 13,000 \text{ min}^{-1}$
max. RCF 16,060


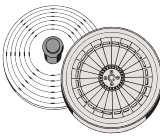
Cat. No. 2076


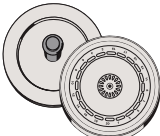
Disc rotor, 20-place, for buffy coat analysis




$n = 13,000 \text{ min}^{-1}$
max. RCF 16,060

Cat. No. 2056¹⁾

standard capillaries, heparinised	basic	self-sealing and mylar-coated
Cat. No.	2074	1071
lid as evaluation disc incl.		
 rotor Cat. No. 2076	sealing putty	
Cat. No.	2077	-
boring \varnothing x L in mm	-	
capillaries per rotor	24	
max. RCF	16,060	
radius in mm	85	
run-up in sec	9	
run-down in sec, braked	16	

capillaries	for quantitative buffy coat analysis
Cat. No.	-
lid incl.	
 rotor Cat. No. 2056¹⁾	
Cat. No.	-
boring \varnothing x L in mm	-
capillaries per rotor	20
max. RCF	16,060
radius in mm	85
run-up in sec	9
run-down in sec, braked	16

TECHNOLOGY	HAEMATOKRIT 200	
Haematocrit centrifuge, without rotor		
Power supply ¹⁾	200–240 V 1 ~	100–127 V 1 ~
Frequency	50–60 Hz	50–60 Hz
Consumption	270 VA	270 VA
Emission, Immunity	EN/IEC 61326-1, class B	FCC class B
	Max. capacity	20/24 capillaries
	Max. RPM (speed)	13,000 min^{-1}
	Max. RCF	16,060
Running time	1–99 min, ∞ continuous run, short cycle mode (impulse key)	
Dimensions (H x W x D)	228 x 261 x 353 mm	228 x 261 x 353 mm
Weight	approx. 10 kg	approx. 10 kg
Cat. No.	1801	1801-01

¹⁾ Not suited for standard capillaries.

²⁾ Other voltages on request.



Hettich centrifuges comply with all relevant EU standards in effect and conform to the European level of quality and safety for medical devices. Evidence is provided by national and international test marks such as IEC 61010 or the CE conformity. The ISO 9001, ISO 13485 and ISO 14001 certificates accredited to the company bear witness to the extreme care and responsibility Hettich puts into the manufacturing of centrifuges and their accessories.



Our certification as an "Authorised Economic Operator" enables accelerated customs clearance.



www.hettichlab.com

Hettich

LAB TECHNOLOGY