

9450 S

SECURED TRACEABILITY. HYGIENE. VERSATILITY.
THE PRINTER FOR BEVERAGE

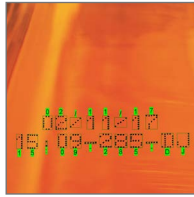


SECURED TRACEABILITY, ALL THE WAY TO YOUR FINAL CUSTOMER ■■■

Optimize your TCO* and operating expenses by 30%! Dedicated to the BEVERAGE industry, the 9450 S is more than just fast! The 9450 S combines state-of-the-art technology and expertise to ensure your product is coded right on its way out the door to the customer!



30%* TCO reduction. Optimized additive and energy consumption.



MARK & READ IT directly on your user interface and check your code is right to prevent product recalls and waste.

SMART consumable system reduces errors and requires no setup.

HIGH HYGIENE EXPECTATIONS, ONE CLEAN 9450 S SOLUTION ■■■

Wash it down as much as you need. Your 9450 S will be up and running regardless of intensive cleaning and humid environmental conditions.

HYGIENIC full stainless steel design, with no retention zones, allows for **EFFICIENT WASHDOWN** (full IP56/IP66).



MEK-free inks



One-way or returnable glass



Permanent anti-counterfeiting ink

MULTIPLE CODING NEEDS, ONE VERSATILE INK SOLUTION ■■■

You'll only need ONE ink to code all your products! Metal cans, glass and PET bottles, pouches, liquid bricks, etc. ALL coded with the same high speed 9450 S printer and the same quick-drying, high-adhesion black ink.

GAIN TIME BY CODING ALL OF YOUR PRODUCTS WITH THE SAME PRINTER regardless of package size, printing area, substrate type, product treatment (pasteurization) and speed.



PROMOTE YOUR BRAND and carry out your marketing initiatives and campaigns by simply inserting a USB thumb drive.

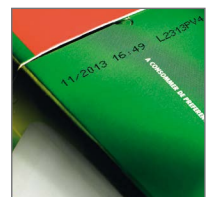
TWO-LINE CODE ON **120,000** containers or packs per hour, all securely coded!



ADDITIONAL HIGH PERFORMANCE CONTRAST INK offer for dark glass substrates, including for returnable glass.



Non-erasable ink



One ink, multiple products

*TCO: Total Cost of Ownership. Compared to other competitive models.

PRINT FEATURES

- ▶ Mono-jet printhead
- ▶ G head (printing resolution: 71 dpi) or M head (printing resolution: 115 dpi)
- ▶ Up to 5 lines of print
- ▶ Print speed: up to 1,000 m/min
- ▶ Font height from 5 to 32 dots
- ▶ Character height: from 1 to 11.2 mm
- ▶ Wide choice of 1D and 2D barcodes: EAN8/EAN13/GS1-128/UPCA/UPCE barcodes, code 39, code 128, interleaved 2 of 5, Datamatrix, QR code
- ▶ Wide choice of characters: Latin, Arabic, Cyrillic, Hebrew, Japanese, Chinese, Korean, etc.

INKS

- ▶ One black multipurpose ink for all beverage substrates: glass (RGB, OWB), PET, returnable PET, liquid bricks, cans, caps, pouches, shrink-wrap film, cartons, corrugated, paper
- ▶ Broad range of inks: white and orange inks for glass and pasteurization, black MEK-free ink, high adhesion permanent inks for liquid carton and PE caps and anti-counterfeiting inks

OPERATIONS

- ▶ Message library (up to 1,000 messages)
- ▶ International operator/machine interface with a wide choice of languages
- ▶ WYSIWYG 7-inch wide touch screen: real-time display of remaining print capacity expressed in hours and number of messages; integrated assistance and alert system; simplified message printing and management; creation of user profiles; and tracking of consumption and printer availability
- ▶ USB and SD ports
- ▶ Jet Speed Control guarantees marking quality
- ▶ Automatic selection of fonts, depending on print speed and printhead/object distance
- ▶ Sealed 0.8-liter cartridges with fool proofing system
- ▶ Quick connect/disconnect of accessories (photocell, alarm and encoder). Parent/child connectivity.
- ▶ Ethernet connectivity
- ▶ Specific date management (rounding date function)

OTHER CHARACTERISTICS

- ▶ Weight: 25 kg
- ▶ Table-top or vertical mounting
- ▶ Ultra-flexible 3-meter umbilical cable
- ▶ Stainless steel cabinet and printhead case
- ▶ Dust/humidity protection rating: IP56 not requiring plant air
- ▶ Operating temperature range: 0 to 45 °C depending on printer model and ink used
- ▶ Humidity: 10 to 90% non-condensing
- ▶ Electrical power supply: 100-120 V or 200-240 V with automatic switching; frequency 50/60 Hz; power 60 VA

OPTIONS

- ▶ Promotional coding and Mark & Read
- ▶ 9450 Sc for pigmented ink use
- ▶ Ultra-flexible 6-meter umbilical cable
- ▶ IP66 protection (requires plant air)
- ▶ Ultrarapid mode for high-speed printing
- ▶ Enhanced autonomy kit
- ▶ Printhead pressurization kit
- ▶ RS-232/422 connectivity, parallel interface, many I/O possibilities to enable remote operation

ACCESSORIES

- ▶ Printer supports: Quick format change stands (stainless steel or aluminum), table or wall mounting bracket
- ▶ Printhead stand (stainless steel) and different printhead brackets
- ▶ Photocells; encoders; alarm beacons (24 V)

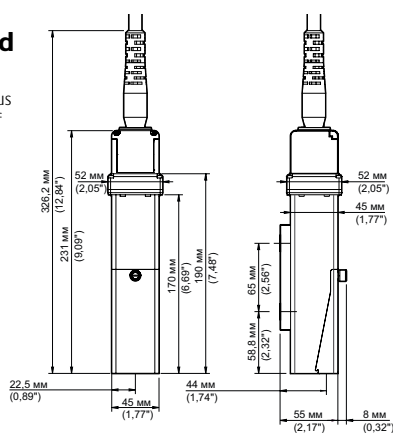
SOFTWARE

- ▶ Compatible with CoLOS Create Professional and CoLOS Enterprise
- ▶ Logo creation with CoLOS Graphics
- ▶ OEM protocol compatibility: TetraPak fillers, Kronen Checkmat, Sidel, etc.
- ▶ Compatible with Weihenstephan standard

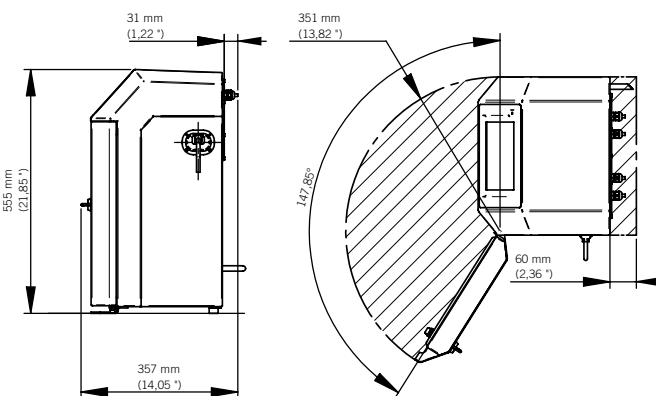
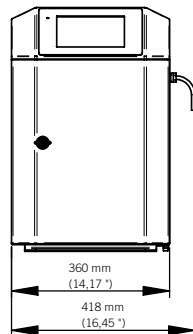
Printhead

Minimum radius of curvature of the umbilical:

- Static: 100 (3.93 ")
- Dynamic: 150 (5.90 ")



Cabinet



We reserve the right to amend the design and/or specifications of our products without notice.

Markem-Imaje
Global Sales & Marketing Division
9, rue Gaspard Monge
B.P. 110
26501 Bourg-lès-Valence Cedex - France
Tél. : +33 (0) 4 75 75 55 00
Fax : +33 (0) 4 75 82 98 10



markem·imaje

a DOVER company

To learn more,
visit www.markem-imaje.com