

9450 E

PRODUCTIVITY. CONTRAST. ADHESION.
THE PRINTER FOR EXTRUSION



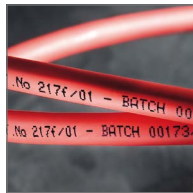
IMPROVE YOUR PRODUCTIVITY ■■■

Dedicated to the PIPE, CABLE, TUBE and PROFILE industries, the 9450 E combines a premium ink circuit with a new generation printhead design that will ensure the quality of your codes even on dark substrates with an optimized TCO.

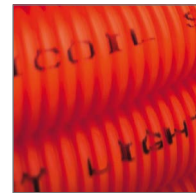
OPTIMIZE YOUR OPERATING TIME AND EXPENSES



UP TO **3,000*** KM of cable printing without printhead cleaning.



REDUCED TCO
20%** ink savings without compromising on contrast.



Additive consumption
REDUCED TO 3 ML/H at 20 °C.



20% FASTER***
Up to 1,000 m/min for wire harnessing and optical fiber applications.



SMART
consumable system, no set-up required.



MISTAKE PROOF USER INTERFACE
even when entering long messages.

PRECISION ALL THE WAY, EVERY TIME



Precise, even on the smallest wires
(1 mm).



Precise when using the embedded metering function:
2 mm tolerance.

SPECIALTY INKS FOR CONTRASTED AND HIGH ADHESION CODES ■■■

High performance ink offer dedicated to extruded products providing contrasted durable print, even on difficult substrates like PE and in rough environmental conditions.



PREMIUM RANGE OF INKS FOR MULTIPLE ENVIRONMENTS

- Fast drying and non migrating
- Resistance to UV, automotive fluids, underwater environments, vulcanization, etc.



MULTIPLE COLORS
Black, white, orange, blue, green, red and yellow.



MAKE SURE YOUR CODE LASTS, EVEN ON PE

Inks are specifically formulated and tested for impeccable contrast and perfect adhesion on a wide variety of substrates, including the most difficult ones (PVC, PE, LSZH, PP, etc).

* Metering application based on 190 million characters printed
** TCO: Total Cost of Ownership. Compared to other competitive models in the same category
*** Compared to other competitive models in the same category

PRINT FEATURES

- ▶ Mono-jet printhead
- ▶ G head (printing resolution: 71 dpi) or M head (printing resolution: 115 dpi)
- ▶ Up to 5 lines of print
- ▶ Print speed: up to 1,000 m/min
- ▶ Font height from 5 to 32 dots
- ▶ Character height: from 1 to 11 mm
- ▶ Wide choice of 1D and 2D barcodes: EAN8/EAN13/GS1-128/UPCA/UPCE barcodes, code 39, code 128, interleaved 2 of 5, Datamatrix, QR code
- ▶ Wide choice of characters: Latin, Arabic, Cyrillic, Hebrew, Japanese, Chinese, Korean, etc.

OPERATIONS

- ▶ Message library (up to 1,000 messages)
- ▶ International operator/machine interface with a wide choice of languages
- ▶ WYSIWYG 7-inch wide touch screen: realtime display of remaining print capacity expressed in hours and number of messages; integrated assistance and alert system; simplified message printing and management; creation of user profiles; tracking of consumption and printer availability
- ▶ Additional functionalities: metering, interleaving of 2 messages, on the fly production changes, quick access to counter setting, optimization of tolerance control, chimney characters, DIN mode
- ▶ USB and SD ports
- ▶ Jet Speed Control guarantees marking quality
- ▶ Automatic selection of fonts, depending on print speed and printhead/object distance
- ▶ Premium ink circuit to run all types of inks
- ▶ Broad range of inks: multi-use, high-performance or high-contrast inks; ketone-free and MEK-free inks available
- ▶ Sealed 0.8-liter cartridges with foolproofing system
- ▶ Quick connect/disconnect of accessories (photocell, alarm, encoder)
- ▶ Parent/child connectivity
- ▶ Ethernet connectivity
- ▶ Specific date management (rounding date function)

OTHER CHARACTERISTICS

- ▶ Weight: 25 kg
- ▶ Table-top or vertical mounting
- ▶ Ultra-flexible 3-meter umbilical cable
- ▶ Stainless steel cabinet and printhead case
- ▶ Dust/humidity protection rating: IP56 not requiring plant air
- ▶ Operating temperature range: 0 to 45 °C depending on printer model and ink used
- ▶ Humidity: 10 to 90% non-condensing
- ▶ Electrical power supply: 100-120 V or 200-240 V with automatic switching; frequency 50/60 Hz; power 60 VA

OPTIONS

- ▶ Printhead pressurization kit
- ▶ IP66 protection (requires plant air)
- ▶ 9450 Ec for pigmented ink use
- ▶ Enhanced autonomy kit
- ▶ RS-232/422 connectivity, parallel interface, many I/O possibilities to enable remote operation
- ▶ Ultra-flexible 6-meter umbilical cable

ACCESSORIES

- ▶ Printer supports: stands (stainless steel or aluminum), table or wall mounting brackets
- ▶ Printhead stand (stainless steel) and different printhead brackets
- ▶ Photocells; encoders; alarm beacons (24 V)

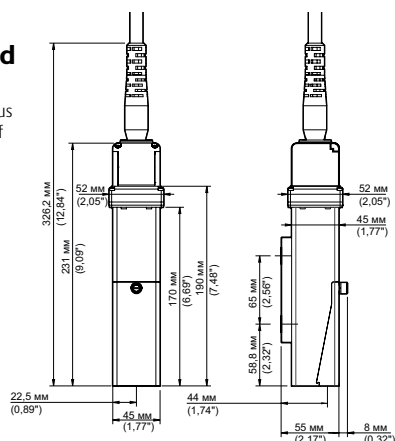
SOFTWARE

- ▶ Compatible with CoLOS Create Professional and CoLOS Enterprise
- ▶ Logo creation with CoLOS Graphics
- ▶ OEM protocol compatibility: Komax, Schleuniger, etc.

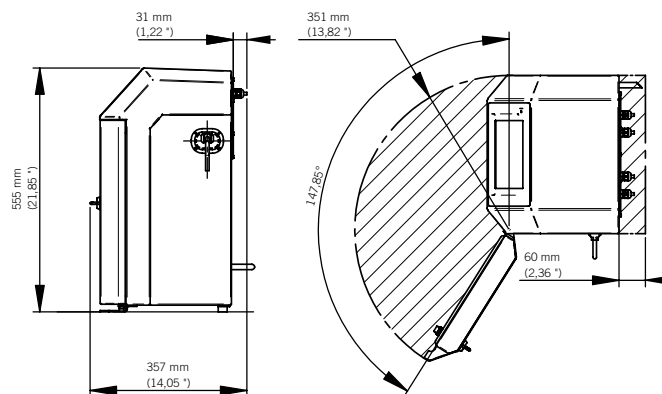
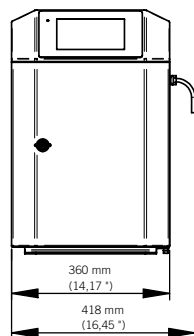
Printhead

Minimum radius of curvature of the umbilical:

- Static: 100 (3.93 ")
- Dynamic: 150 (5.90 ")



Cabinet



We reserve the right to amend the design and/or specifications of our products without notice.

Markem-Imaje
Global Sales & Marketing Division
9, rue Gaspard Monge
B.P. 110
26501 Bourg-lès-Valence Cedex – France
Tél. : +33 (0) 4 75 75 55 00
Fax : +33 (0) 4 75 82 98 10



markem·imaje

a **DOVER** company

To learn more,
visit www.markem-imaje.com

