



2001

Wheel Dumpers



Swivel tipping skip as standard – 2001.

With its 2,000 kg payload, optional a self-loading system and an optional skip with a dumping height of only 2.65 m the four-wheel dumper 2001 is top-of-the range, in every respect. It simply moves better.

- Standard swivel tipping skip, self-loading system (optional); skip with lower dumping height - 2,550 mm (optional); maximum payload 2,000 kg.
- Hydrostatic twin-lock four-wheel drive.
- Continuously variable speed up to 21 km/h max.
- Large service and maintenance access.
- Clearly laid out instrument panel and wide, robust leg protection.

Technical specifications

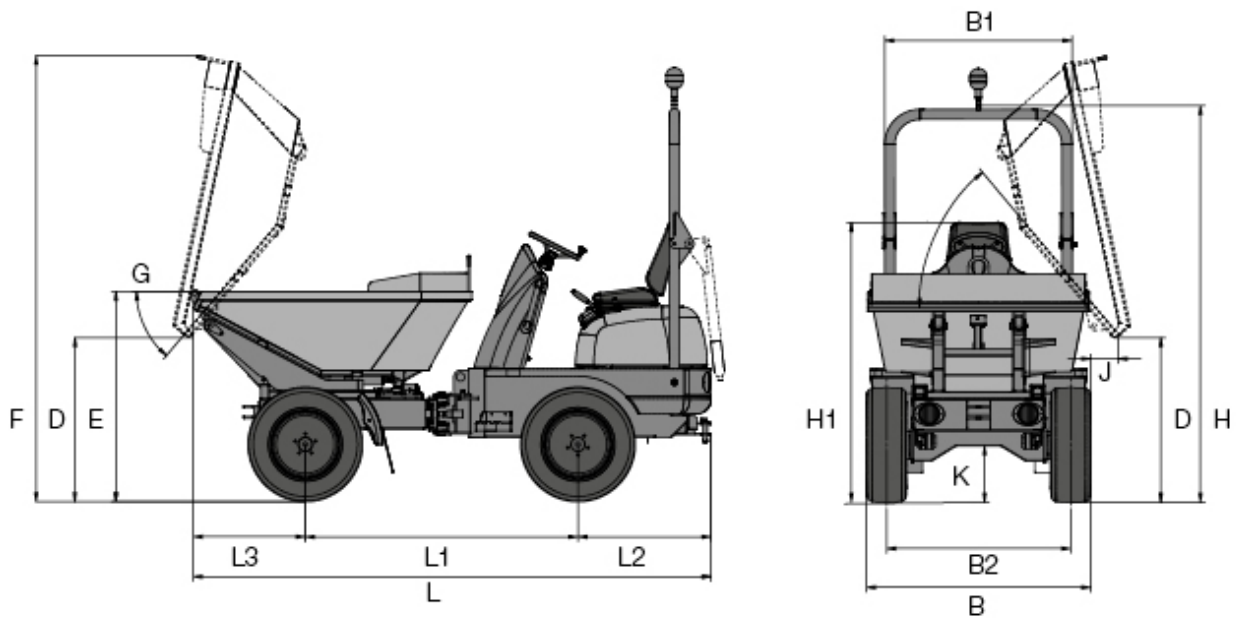
	2001 Swivel tip skip	2001 SLE	2001 Low skip
Operating data			



	2001 Swivel tip skip	2001 SLE	2001 Low skip
Payload kg	2,000	2,000	2,000
Net weight kg	1,810	1,810	1,810
Skip capacity level I	930	775	785
Skip capacity heaped I	1,210	1,050	1,000
Engine / Motor			
Engine / Motor manufacturer	Yanmar	Yanmar	Yanmar
Engine / Motor type	3TNV82A	3TNV82A	3TNV82A
Engine / Motor	Diesel	Diesel	Diesel
Engine performance acc. to ISO 3046/1 kW	22.5	22.5	22.5
Displacement cm ³	1,331	1,331	1,331
Travel speed km/h	21	21	21
Articulation angle °	37	37	37
Pendulum angle °	15	15	15
Turning radius mm	3,500	3,500	3,500
Gradeability %	45	45	45
L x W x H mm	3,420 x 1,485 x 2,650	3,530 x 1,485 x 2,650	3,420 x 1,485 x 2,650



Dimensions



Please note

that product availability can vary from country to country. It is possible that information / products may not be available in your country. More detailed information on engine power can be found in the operator's manual; the stated power may vary due to specific operating conditions.

Subject to alterations and errors excepted. Applicable also to illustrations.

Copyright © 2016 Wacker Neuson SE.